

**E.R. Wagner**  
 CASTERS & WHEELS Manufacturing Co.  
 331 Riverview Drive  
 P.O. Box 405  
 Hustisford, WI 53034-0405

TITLE: CASTER, 4 x 1, RIGID PLATE  
 MATERIAL:  
 FINISH: ZINC PLATE

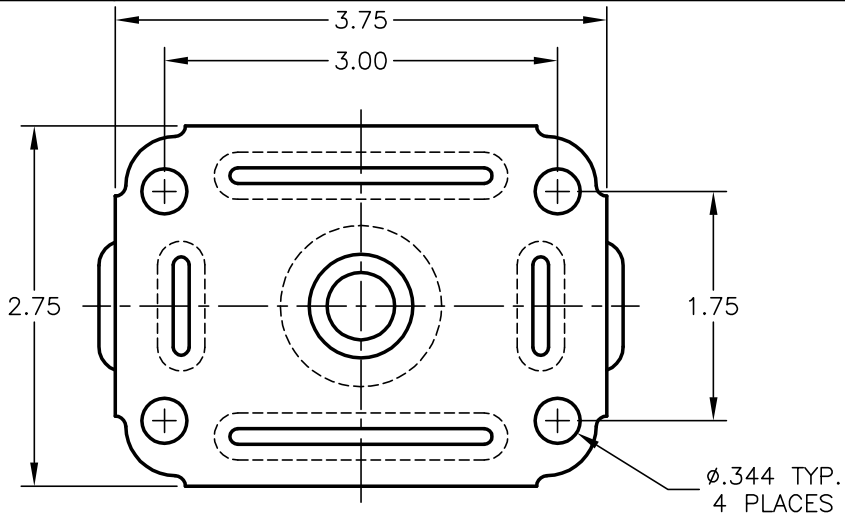
**TOLERANCES**  
 UNLESS OTHERWISE SPECIFIED

THIRD ANGLE PROJECTION	2 PLACE DECIMALS	3 PLACE DECIMALS	ANGLE

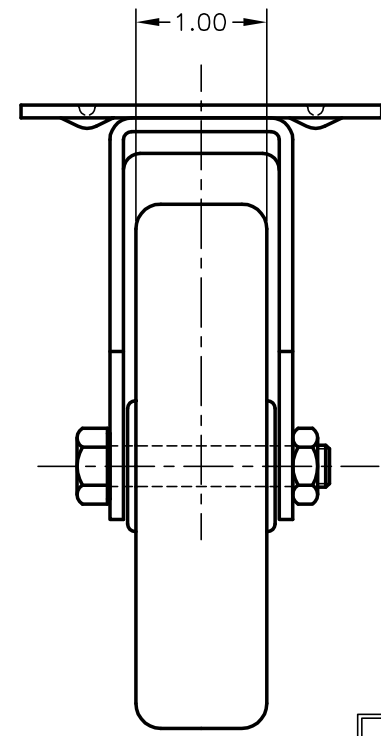
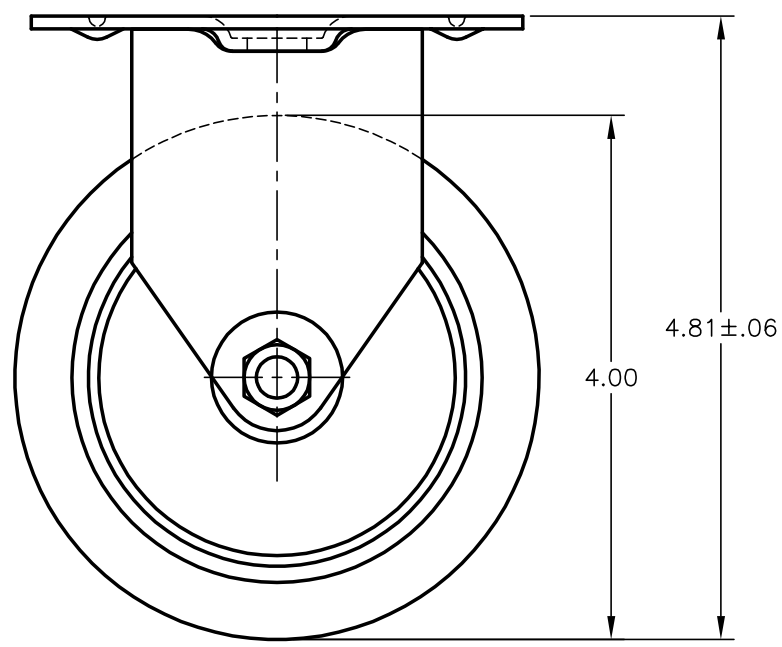
SCALE: 1:1.5 FIRST USE:

DRAWN: JA  
 DATE: 10/9/13  
 APPROVED:  
 DATE:

DWG. No. **1F6304P26000100**  
 (SALES PRINT)  
**CHANGES**



NOTE:  
 CAPACITY: 135 LBS.  
 WHEEL: GRAY TPR TREAD ON  
 GRAY POLYPROPYLENE HUB WITH  
 DELRIN BEARING



CUSTOMER DRAWINGS ARE THE PROPERTY OF  
 E.R. WAGNER MFG. CO. CASTERS & WHEELS DIV.  
 AND ARE FOR REFERENCE ONLY. DRAWINGS ARE SUBJECT  
 TO CHANGE WITHOUT NOTIFICATION. ELECTRONIC FILES ARE  
 NOT TO BE USED FOR DIMENSIONAL ACCURACY, OR TO BE  
 MODIFIED, OR COPIED.

Distributed by **H. A. GUDEN CO., INC.**  
 Industrial Hardware Made Easy  
[guden.com/casters](http://guden.com/casters) 800-344-6437  
[info@guden.com](mailto:info@guden.com) 631-737-2900