

**E.R. Wagner**  
 CASTERS & WHEELS Manufacturing Co.  
 331 Riverview Drive  
 P.O. Box 405  
 Hustisford, WI 53034-0405

TITLE: CASTER, PLATE RIGID, 3 x 1  
 MATERIAL:  
 FINISH: ZINC PLATE

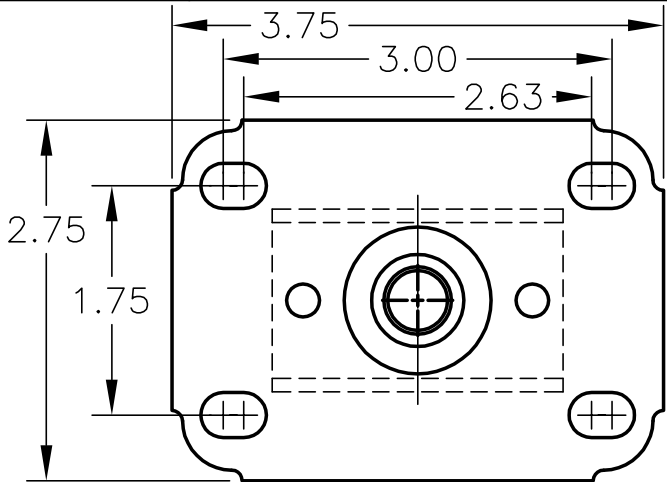
**TOLERANCES**  
 UNLESS OTHERWISE SPECIFIED

THIRD ANGLE PROJECTION	2 PLACE DECIMALS	3 PLACE DECIMALS	ANGLE

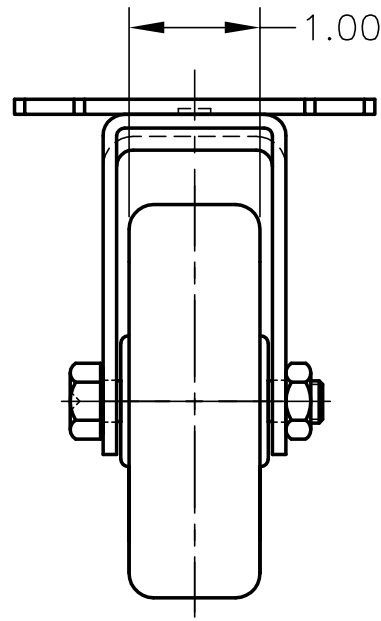
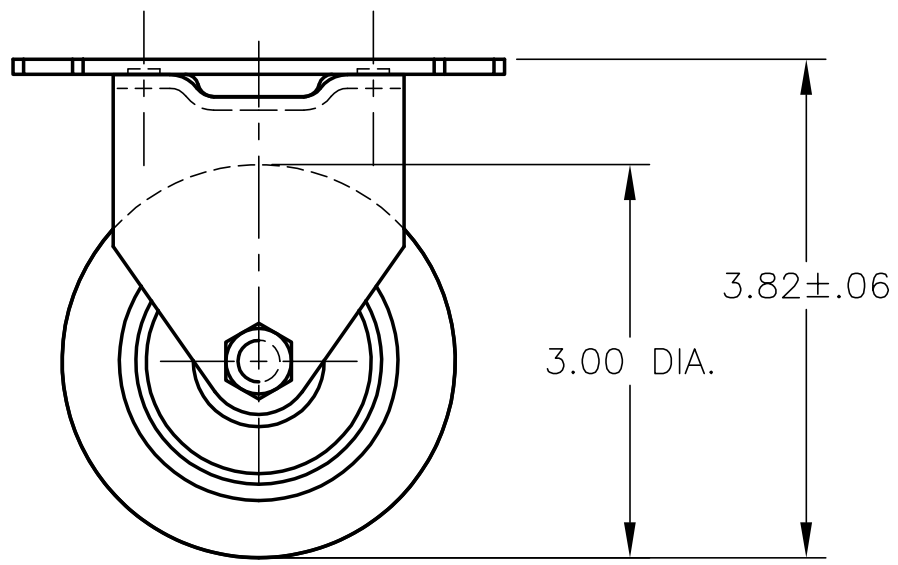
SCALE: 1:1.5 FIRST USE:

DRAWN: JA  
 DATE: 10/9/13  
 APPROVED:  
 DATE:

DWG. No. **1F6303P260001AM**  
 (SALES PRINT)  
**CHANGES**



NOTES:  
 LOAD RATING = 125 LBS.  
 WHEEL = GRAY TPR RUBBER TREAD ON  
 GRAY POLYPROPYLENE HUB WITH DELRIN  
 BEARING



Distributed by **H. A. GUDEN CO., INC.**  
 Industrial Hardware Made Easy  
[guden.com/casters](http://guden.com/casters) 800-344-6437  
[info@guden.com](mailto:info@guden.com) 631-737-2900

CUSTOMER DRAWINGS ARE THE PROPERTY OF  
 E.R. WAGNER MFG. CO. CASTERS & WHEELS DIV.  
 AND ARE FOR REFERENCE ONLY. DRAWINGS ARE SUBJECT  
 TO CHANGE WITHOUT NOTIFICATION. ELECTRONIC FILES ARE  
 NOT TO BE USED FOR DIMENSIONAL ACCURACY, OR TO BE  
 MODIFIED, OR COPIED.