

E.R. Wagner

CASTERS & WHEELS Manufacturing Co.

331 Riverview Drive
P.O. Box 405
Hustisford, WI 53034-0405

TITLE: CASTER, 3 x 1 3/4"

MATERIAL:

FINISH: ZINC PLATE

TOLERANCES

UNLESS OTHERWISE SPECIFIED

THIRD ANGLE PROJECTION	2 PLACE DECIMALS	3 PLACE DECIMALS	ANGLE
			

SCALE: 1:1

FIRST USE: 500

DRAWN: JA

DATE: 10/10/13

APPROVED:

DATE:

DWG. No.

1F5803709000197

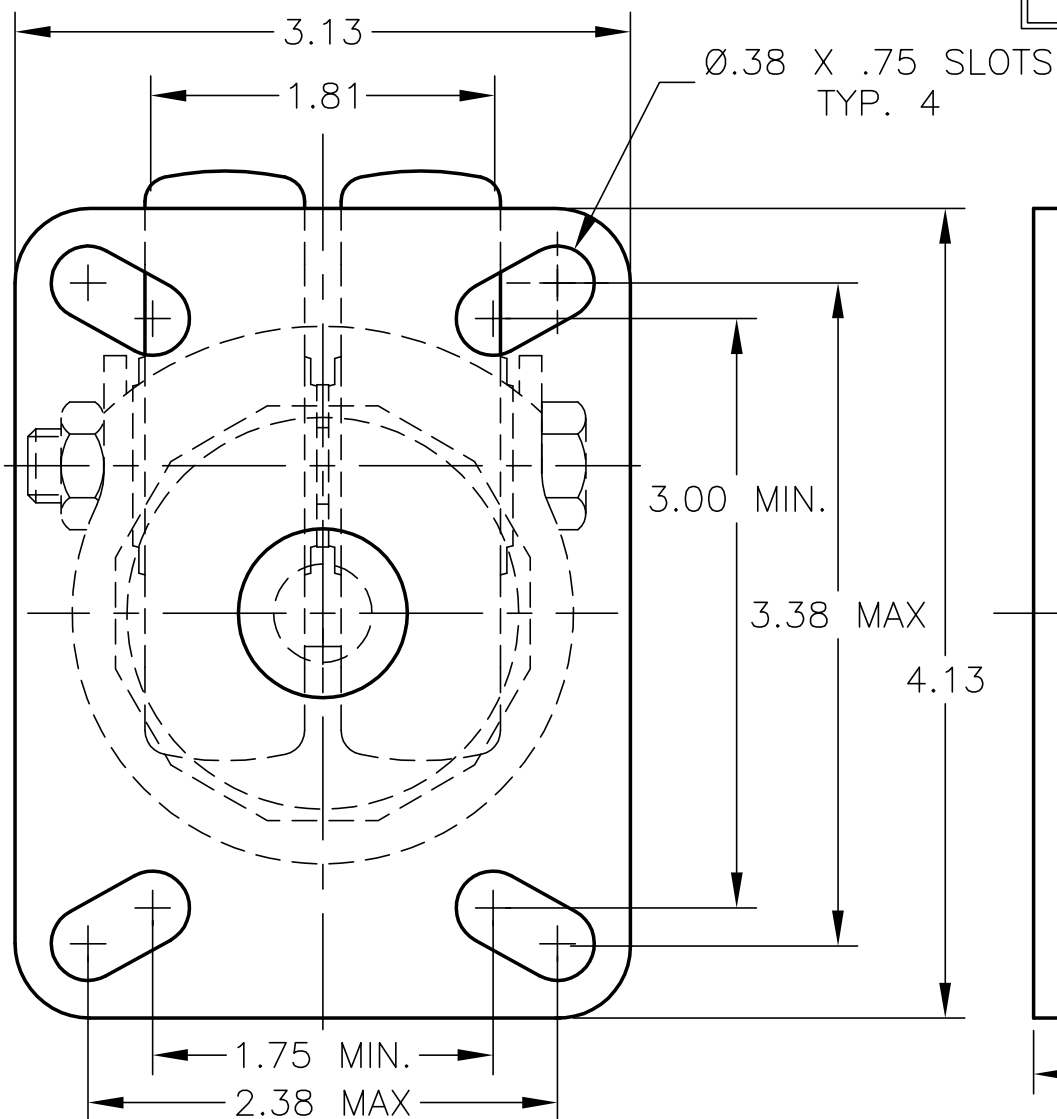
A

CHANGES

NOTES:

LOAD RATING = 350 Lbs
 SWIVEL RADIUS = 2.25"
 WHEELS = SOLID HARD RUBBER
 WITH DELRIN BEARINGS

CUSTOMER DRAWINGS ARE THE PROPERTY OF
 E.R. WAGNER MFG. CO. CASTERS & WHEELS DIV.
 AND ARE FOR REFERENCE ONLY. DRAWINGS ARE SUBJECT
 TO CHANGE WITHOUT NOTIFICATION. ELECTRONIC FILES ARE
 NOT TO BE USED FOR DIMENSIONAL ACCURACY, OR TO BE
 MODIFIED, OR COPIED.



Distributed by **H. A. GUDEN CO., INC.**
 Industrial Hardware Made Easy
guden.com/casters 800-344-6437
info@guden.com 631-737-2900

