

**E.R. Wagner**  
 CASTERS & WHEELS Manufacturing Co.  
 331 Riverview Drive  
 P.O. Box 405  
 Hustisford, WI 53034-0405

TITLE: CASTER, 6" X 1-1/2", POST SWIVEL

MATERIAL:

FINISH: ZINC PLATE

**TOLERANCES**  
 UNLESS OTHERWISE SPECIFIED

THIRD ANGLE PROJECTION	2 PLACE DECIMALS	3 PLACE DECIMALS	ANGLE

SCALE: 1:2

FIRST USE:

DRAWN: JA

DATE: 10/3/13

APPROVED:

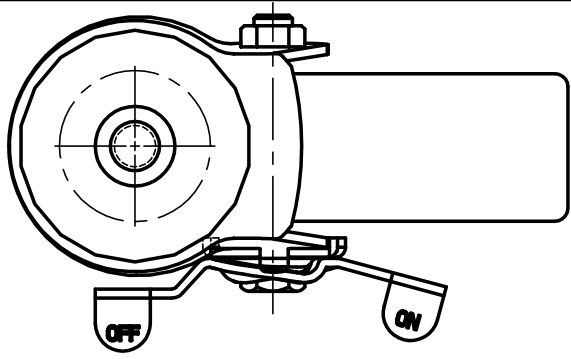
DATE:

DWG. No.

**1F2906B26002110**

A

**CHANGES**



Distributed by **H. A. GUDEN CO., INC.**  
 Industrial Hardware Made Easy  
[guden.com/casters](http://guden.com/casters) 800-344-6437  
[info@guden.com](mailto:info@guden.com) 631-737-2900

NOTES:

- 1) SWIVEL RADIUS: 4-15/16
- 2) MAX LOAD: 300 Lbs.
- 3) GRAY TPR RUBBER TREAD ON  
 GRAY POLYPROPYLENE HUB WITH DELRIN BEARING

1/2-13 THREAD

