

**E.R. Wagner**

CASTERS &amp; WHEELS Manufacturing Co.

331 Riverview Drive  
P.O. Box 405  
Hustisford, WI 53034-0405

TITLE: 5" X 1-1/2 POST SWIVEL W/ BRAKE

MATERIAL:

FINISH: ZINC PLATE

**TOLERANCES**

UNLESS OTHERWISE SPECIFIED

THIRD ANGLE PROJECTION	2 PLACE DECIMALS	3 PLACE DECIMALS	ANGLE
			

SCALE: 1:2

FIRST USE:

DRAWN: JA

DATE: 10/2/13

APPROVED:

DATE:

DWG. No.

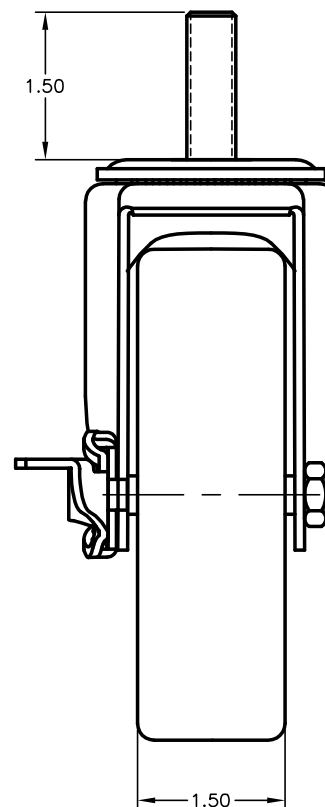
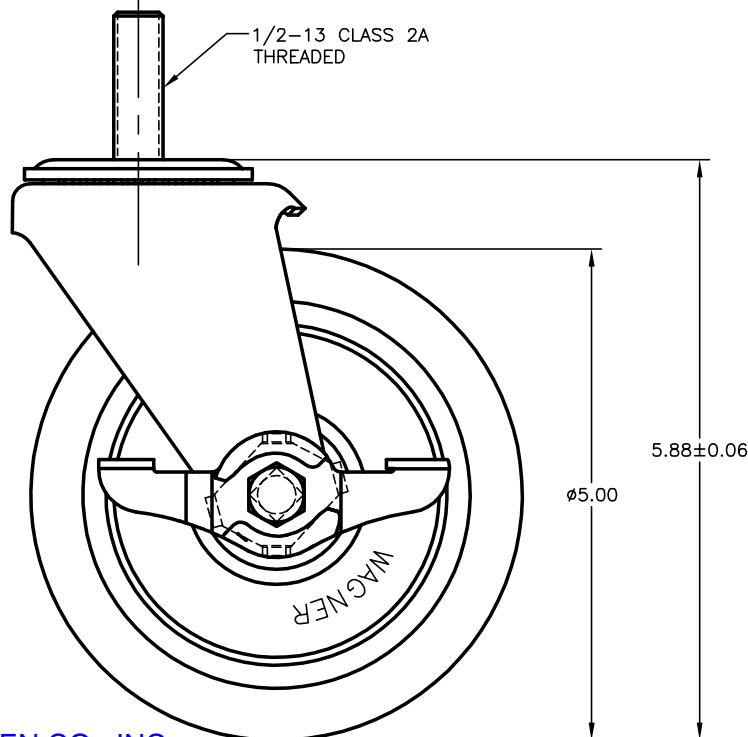
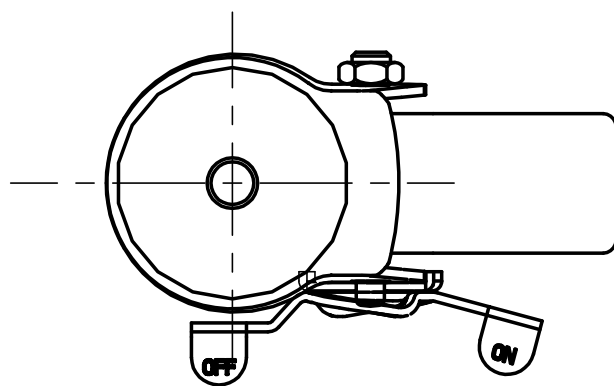
**1F2905B26002110**

SALES PRINT

**CHANGES**

## NOTE:

SWIVEL RADIUS = 3-15/16"  
 LOAD CAPACITY = 300 Lbs  
 WHEEL = GRAY TPR TREAD ON  
 GRAY POLYPROPYLENE HUB WITH  
 DELRIN BEARING



CUSTOMER DRAWINGS ARE THE PROPERTY OF  
 E.R. WAGNER MFG. CO. CASTERS & WHEELS DIV.  
 AND ARE FOR REFERENCE ONLY. DRAWINGS ARE SUBJECT  
 TO CHANGE WITHOUT NOTIFICATION. ELECTRONIC FILES ARE  
 NOT TO BE USED FOR DIMENSIONAL ACCURACY, OR TO BE  
 MODIFIED, OR COPIED.

Distributed by **H. A. GUDEN CO., INC.**  
 Industrial Hardware Made Easy  
[guden.com/casters](http://guden.com/casters) 800-344-6437  
[info@guden.com](mailto:info@guden.com) 631-737-2900