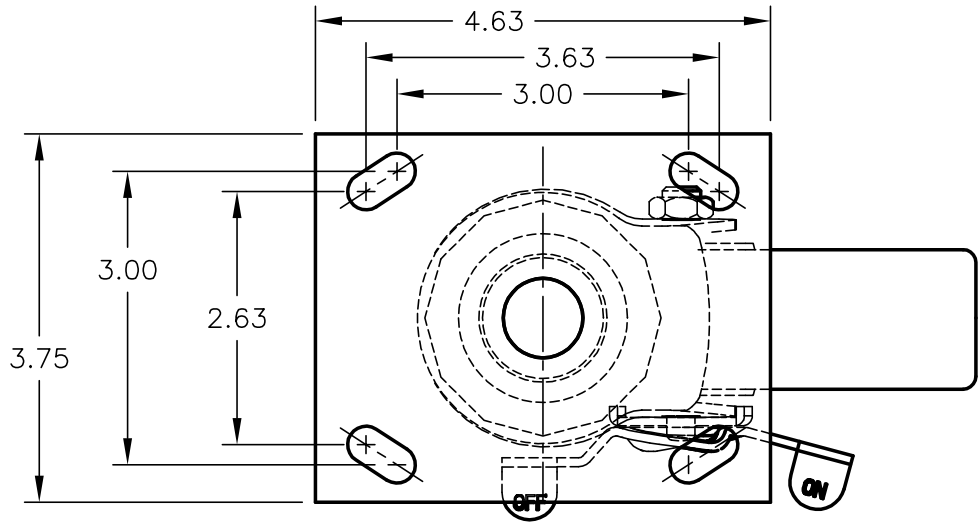


TITLE: CASTER, 6 x 1 3/8, SWIVEL W/BRAKE  
 MATERIAL:  
 FINISH: ZINC PLATE

TOLERANCES UNLESS OTHERWISE SPECIFIED			
THIRD ANGLE PROJECTION	2 PLACE DECIMALS	3 PLACE DECIMALS	ANGLE
SCALE: 1:2		FIRST USE:	

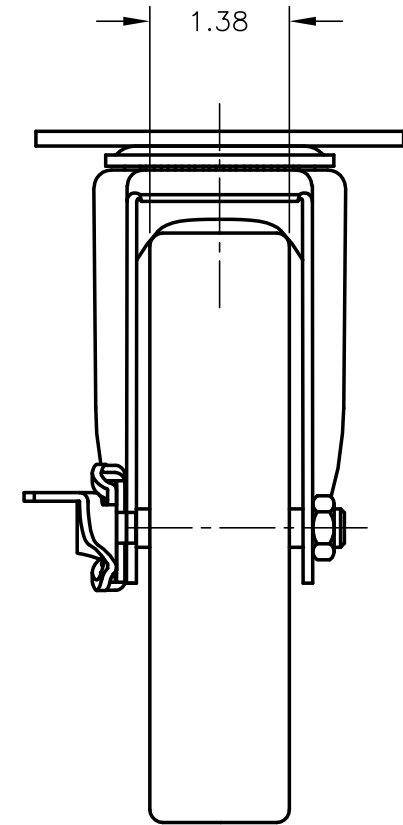
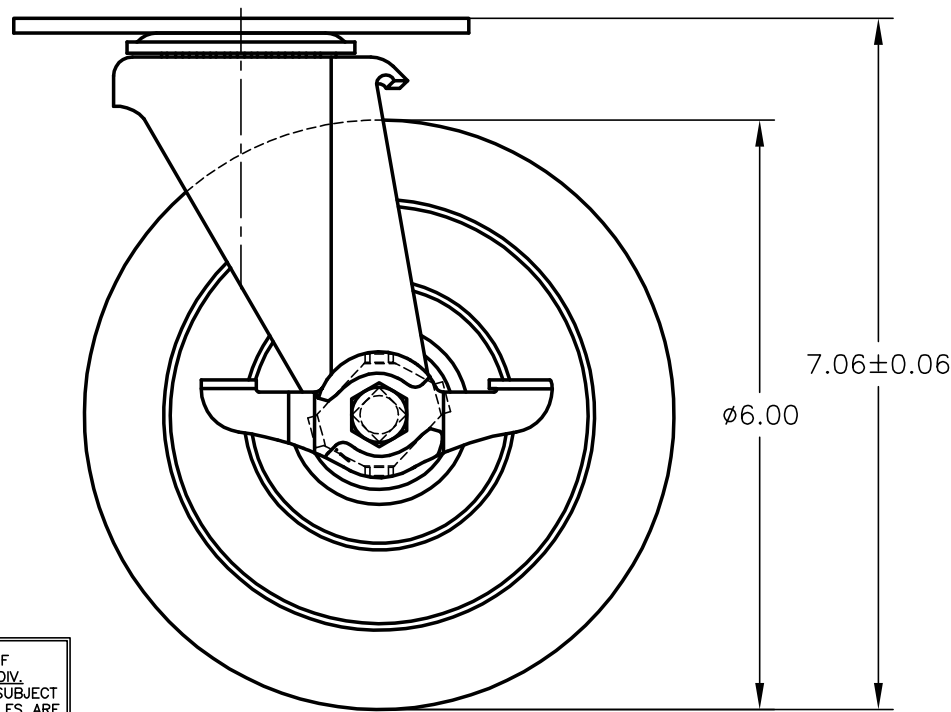
DRAWN: JA  
 DATE: 10/2/13  
 APPROVED:  
 DATE:  
 DWG. No. **1F2806027002199**  
 (SALES PRINT)  
**CHANGES**



Distributed by **H. A. GUDEN CO., INC.**  
 Industrial Hardware Made Easy  
[guden.com/casters](http://guden.com/casters) 800-344-6437  
[info@guden.com](mailto:info@guden.com) 631-737-2900

**NOTES:**

- 1) SWIVEL RADIUS: 4-15/16
- 2) MAX LOAD: 400 Lbs.
- 3) DUROFOAM WHEEL - BLACK



CUSTOMER DRAWINGS ARE THE PROPERTY OF  
 E.R. WAGNER MFG. CO. CASTERS & WHEELS DIV.  
 AND ARE FOR REFERENCE ONLY. DRAWINGS ARE SUBJECT  
 TO CHANGE WITHOUT NOTIFICATION. ELECTRONIC FILES ARE  
 NOT TO BE USED FOR DIMENSIONAL ACCURACY, OR TO BE  
 MODIFIED, OR COPIED.