

TITLE: CASTER, 6 x 1 1/2, RIGID, PLATE

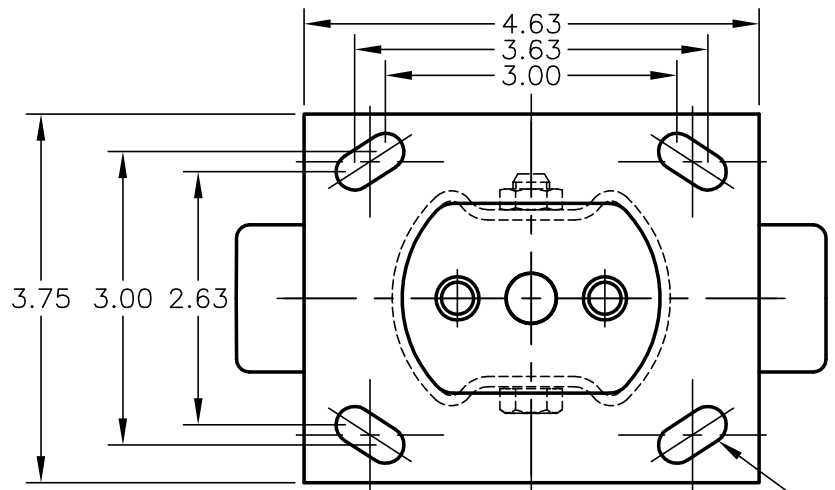
MATERIAL:

FINISH: ZINC PLATE

TOLERANCES UNLESS OTHERWISE SPECIFIED			
THIRD ANGLE PROJECTION	2 PLACE DECIMALS	3 PLACE DECIMALS	ANGLE
SCALE: 1:2		FIRST USE:	

DRAWN: JA
 DATE: 10/2/13
 APPROVED:
 DATE:

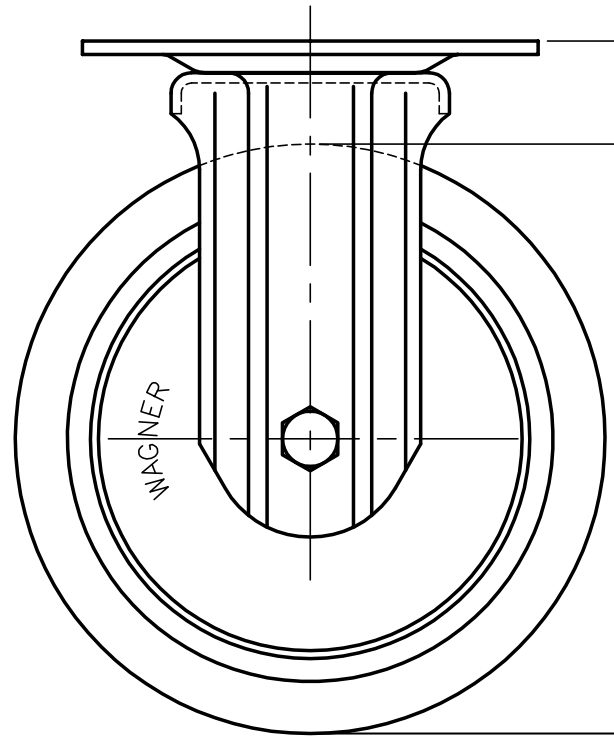
DWG. No. **1F2306027000199**
 (SALES PRINT)
CHANGES



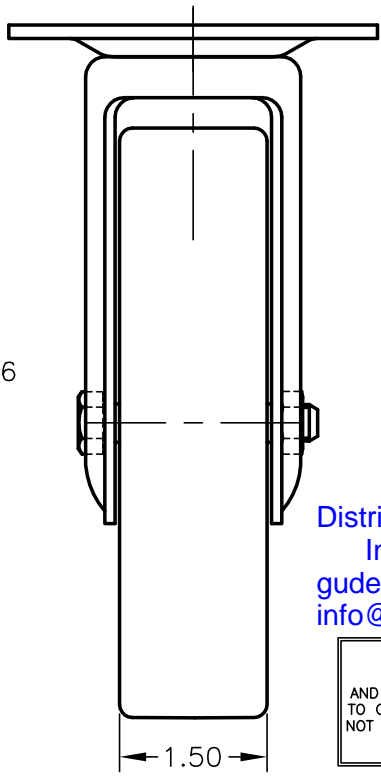
3/8" X 3/4" SLOTS

NOTES:

- 1) LOAD CAPACITY: 400 POUNDS.
- 2) BLACK POLYPROPYLENE WITH DELRIN BEARING



ø6.00



7.05±.06

1.50

Distributed by **H. A. GUDEN CO., INC.**
 Industrial Hardware Made Easy
guden.com/casters 800-344-6437
info@guden.com 631-737-2900

CUSTOMER DRAWINGS ARE THE PROPERTY OF
 E.R. WAGNER MFG. CO. CASTERS & WHEELS DIV.
 AND ARE FOR REFERENCE ONLY. DRAWINGS ARE SUBJECT
 TO CHANGE WITHOUT NOTIFICATION. ELECTRONIC FILES ARE
 NOT TO BE USED FOR DIMENSIONAL ACCURACY, OR TO BE
 MODIFIED, OR COPIED.