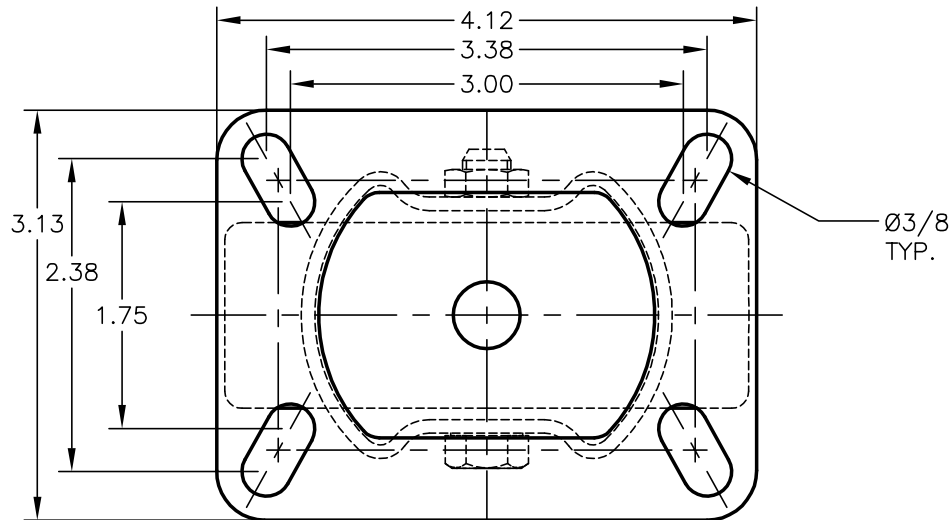


TITLE: CASTER 4X1-1/2 PLATE RIGID  
 MATERIAL:  
 FINISH: ZINC PLATE

TOLERANCES UNLESS OTHERWISE SPECIFIED			
THIRD ANGLE PROJECTION	2 PLACE DECIMALS	3 PLACE DECIMALS	ANGLE
SCALE: 1:1.5		FIRST USE: 200	

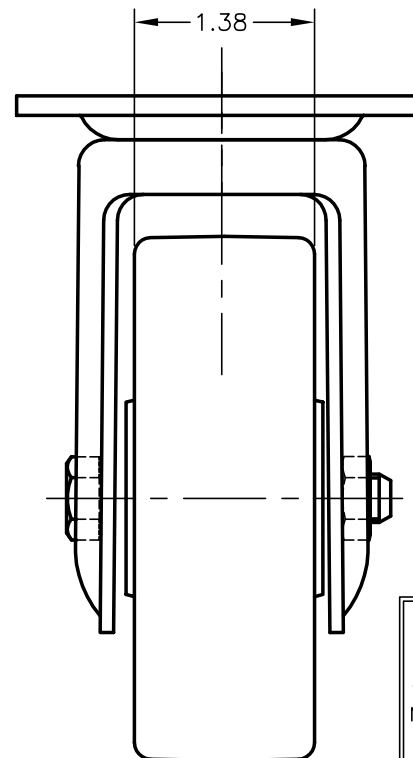
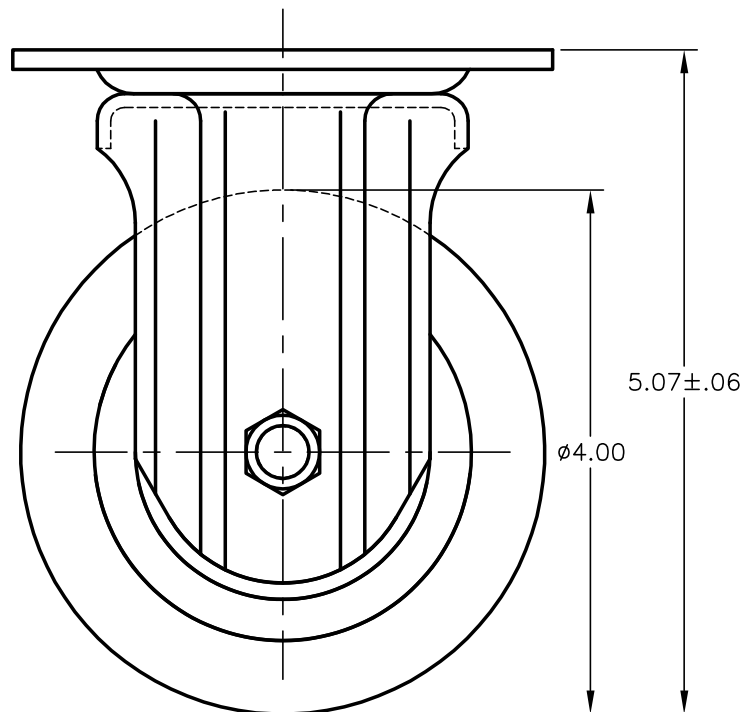
DRAWN: JA  
 DATE: 10/1/13  
 APPROVED:  
 DATE:

DWG. No.  
**1F2304B26000197**  
 (SALES PRINT)  
**CHANGES**



NOTES:  
 LOAD CAPACITY = 275 Lbs  
 WHEEL = GRAY TPR TREAD  
 ON GRAY POLYPROPYLENE HUB  
 WITH DELRIN BEARING

Ø3/8" X 3/4" SLOTS  
 TYP. 4



Distributed by **H. A. GUDEN CO., INC.**  
 Industrial Hardware Made Easy  
[guden.com/casters](http://guden.com/casters) 800-344-6437  
[info@guden.com](mailto:info@guden.com) 631-737-2900

CUSTOMER DRAWINGS ARE THE PROPERTY OF  
 E.R. WAGNER MFG. CO. CASTERS & WHEELS DIV.  
 AND ARE FOR REFERENCE ONLY. DRAWINGS ARE SUBJECT  
 TO CHANGE WITHOUT NOTIFICATION. ELECTRONIC FILES ARE  
 NOT TO BE USED FOR DIMENSIONAL ACCURACY, OR TO BE  
 MODIFIED, OR COPIED.