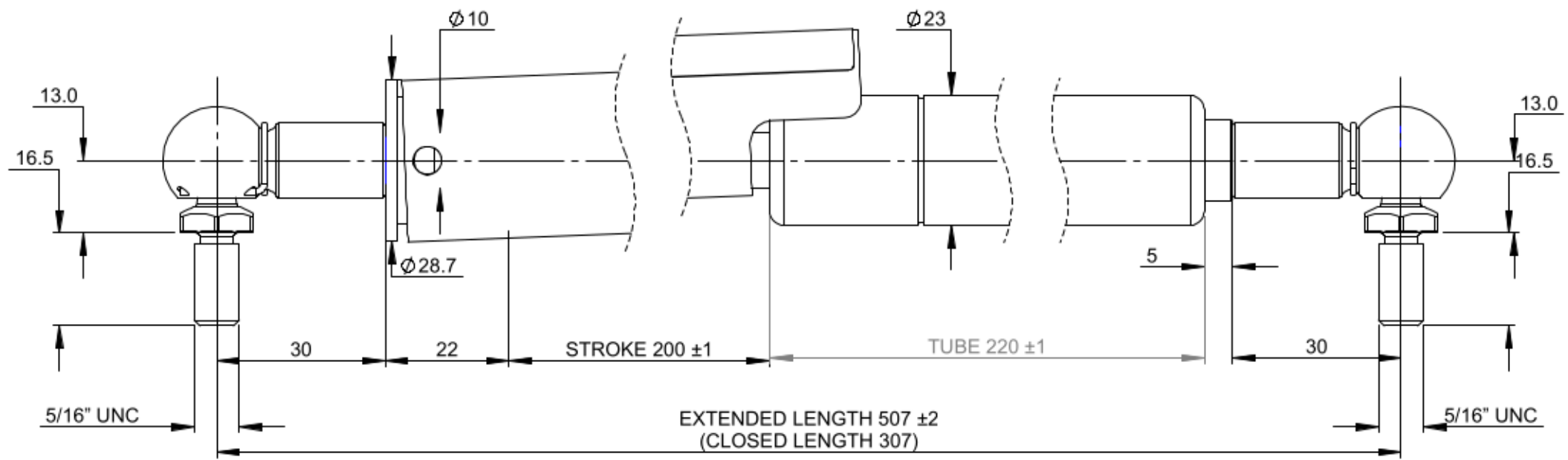


REV	DESCRIPTION
1	NEW CAD DRAWING



- NOTES:**
1. P1 STATIC FORCE AT 20°C: 1200N (+/-60N)
  2. DAMPING ZONE 53mm (40mm) STANDARD OIL
  3. SYMBOLISE TO SPEC 'D' (00-3816)
  4. MATERIALS OF CONSTRUCTION:  
ROD - BLACK NITRIDED CARBON STEEL  
TUBE - BLACK EPOXY COATED CARBON STEEL  
VALVE - BRASS
- END FITS:**  
ROD - STEEL, ZINC & TRIVALENT PASSIVATE  
TUBE - STEEL, ZINC & TRIVALENT PASSIVATE

Supplied by H. A. Guden Co., Inc. 800-344-6437 guden.com Guden P/N: 552071-0914



**CAMLOC MOTION CONTROL LTD**  
Manufacturers of *Camloc* Gas Springs  
15 New Star Road, Leicester, LE4 9JD, England  
Tel: +44 (0) 116 274 3600  
Email: info@camloc.com  
Website: www.camloc.com

DRAWING DATA	
DRAWN: HL	PROJECT N°: SALES
DATE: 17/5/2023	
SCALE: 1:1	

TITLE: <b>10-23 ECONOLOC GAS SPRING ASSEMBLY</b>
CUSTOMER: H A GUDEN
PART N°: <b>ECV1B5200220B5D</b>
REV: <b>1</b>

© CAMLOC MOTION CONTROL LIMITED - THE DESIGN AND INFORMATION CONTAINED IN THIS DRAWING IS STRICTLY CONFIDENTIAL. IT IS THE EXCLUSIVE PROPERTY OF CAMLOC MOTION CONTROL LIMITED AND MUST NOT BE USED, COPIED OR REPRODUCED IN PART OR WHOLE WITHOUT WRITTEN PERMISSION FROM CAMLOC MOTION CONTROL LIMITED

**DRAWING IS  
COMPUTER GENERATED.  
DO NOT HAND MODIFY.**

**IF IN  
DOUBT,  
ASK.**

**DRAWING UNCONTROLLED WHEN  
PRINTED PLEASE CHECK ORDER  
REVISION LEVEL BEFORE MANUFACTURE**

DRAWING N°: <b>ECV1B5200220B5D_S</b>
---