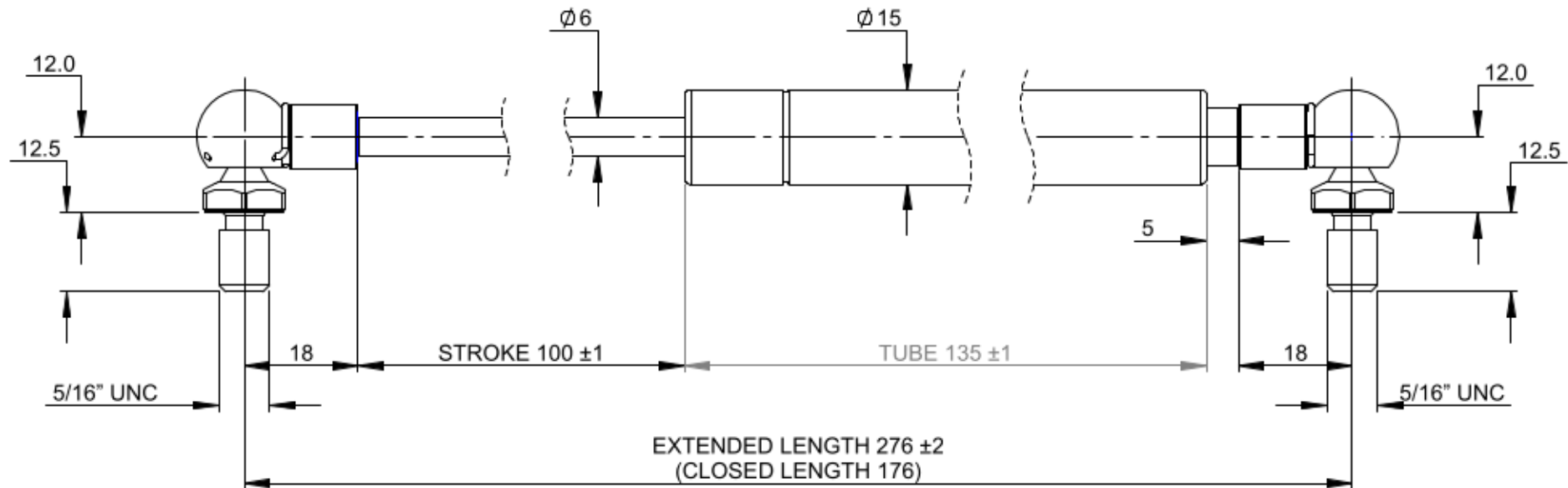


REV	DESCRIPTION
1	NEW CAD DRAWING



NOTES:

1. P1 STATIC FORCE AT 20°C: 400N (+/-20N)
2. DAMPING ZONE 38mm (30mm) STANDARD OIL
3. SYMBOLISE TO SPEC 'D' (00-3816)
4. MATERIALS OF CONSTRUCTION:
ROD - BLACK NITRIDED CARBON STEEL
TUBE - BLACK EPOXY COATED CARBON STEEL
VALVE - BRASS

END FITS:

ROD - STEEL, ZINC & TRIVALENT PASSIVATE
TUBE - STEEL, ZINC & TRIVALENT PASSIVATE

Supplied by H. A. Guden Co., Inc. 800-344-6437 guden.com Guden P/N: 546905-0511

Camloc
Motion Control

CAMLOC MOTION CONTROL LTD
Manufacturers of *Camloc* Gas Springs
15 New Star Road, Leicester, LE4 9JD, England
Tel: +44 (0) 116 274 3600
Email: info@camloc.com
Website: www.camloc.com

DRAWING DATA

DRAWN: HL	PROJECT N°: SALES
DATE: 17/5/2023	
SCALE: 1:1	

TITLE:

**6-15 SWIFT & SURE
GAS SPRING ASSEMBLY**

CUSTOMER: H A GUDEN

PART N°:
SWV6B3100135B3D

REV:
1



CAMLOC MOTION CONTROL LIMITED - THE DESIGN AND INFORMATION CONTAINED IN THIS DRAWING IS STRICTLY CONFIDENTIAL. IT IS THE EXCLUSIVE PROPERTY OF CAMLOC MOTION CONTROL LIMITED AND MUST NOT BE USED, COPIED OR REPRODUCED IN PART OR WHOLE WITHOUT WRITTEN PERMISSION FROM CAMLOC MOTION CONTROL LIMITED

**DRAWING IS
COMPUTER GENERATED.
DO NOT HAND MODIFY.**

**IF IN
DOUBT,
ASK.**

**DRAWING UNCONTROLLED WHEN
PRINTED PLEASE CHECK ORDER
REVISION LEVEL BEFORE MANUFACTURE**

DRAWING N°:
SWV6B3100135B3D_S