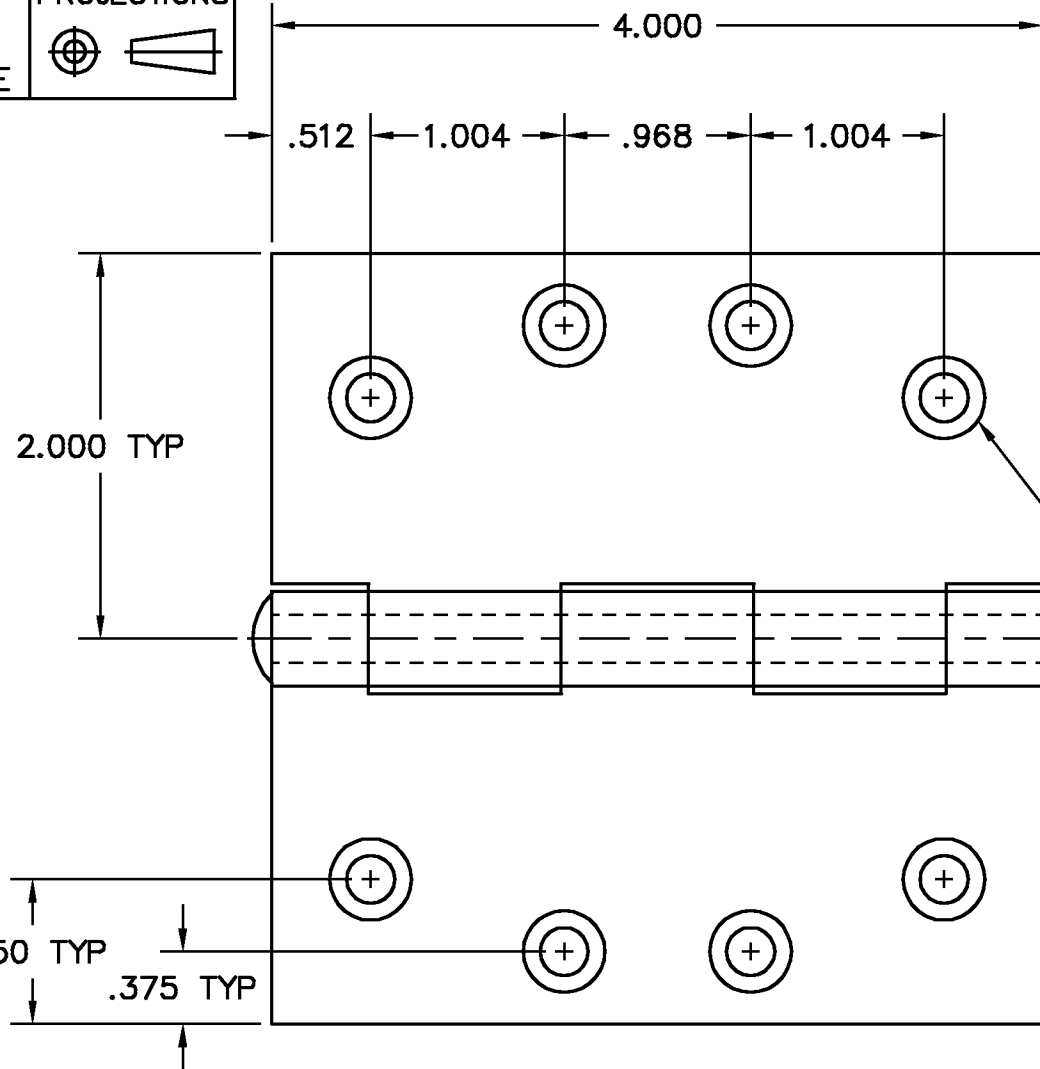


A
SIZE

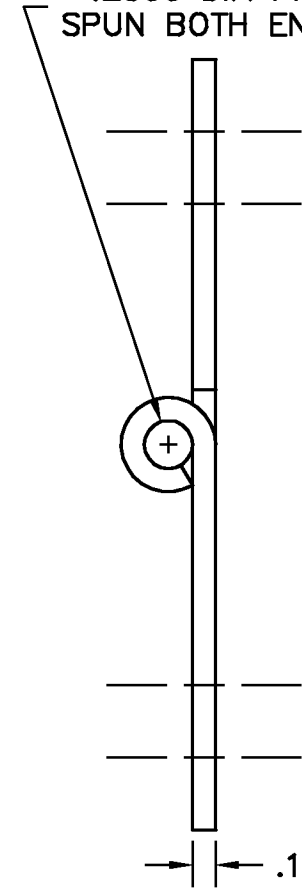
PROJECTIONS



TOLERANCES UNLESS OTHERWISE SPECIFIED:

| PLACES | INCH | NOTE: |
|--------|--------|---|
| .XX | ± .030 | ACCEPTABLE BURR ± 10% OF MATERIAL THICKNESS ALL TOLERANCES ARE NON-CUMULATIVE ALL DIMENSIONS APPLY TO PART BEFORE ANY FINISH IS APPLIED |
| .XXX | ± .015 | |
| .XXXX | ± .005 | |
| ANGLE | 3° | |

.2500 DIA PIN
SPUN BOTH ENDS



.250 DIA HOLE
CTSK 82°
TO .424 ± .010
(8) PLACES

NOTES:
1. FINISH: 00- NO FINISH

| E | THICKNESS, HOLE | 11/14/12 | JG |
|----------|--------------------|----------|------|
| D | MATERIAL THICKNESS | 05/03/07 | CD |
| C | CHANGED HOLE DIA | 06/21/02 | CD |
| B | REDRAWN | 12/23/98 | CD |
| LTR | DESCRIPTION | DATE | APPD |
| REVISION | | | |

| | |
|--|--------------------|
| DWG 8000401225 | |
| MATERIAL STS | FINISH SEE NOTE |
| DR. BY RAG | CK. BY CD |
| FAX: 1-631-737-2933 EMAIL: info@guden.com WEB: www.guden.com | |

| | | |
|--|----------|---------------|
| SCALE | 1:1 | CODE IDENT. # |
| DATE | 12/23/98 | 03007 |
| | | |
| 99 RAYNOR AVE. RONKONKOMA, N.Y. 11779 1-800-3-HINGES | | |