

A  
SIZE

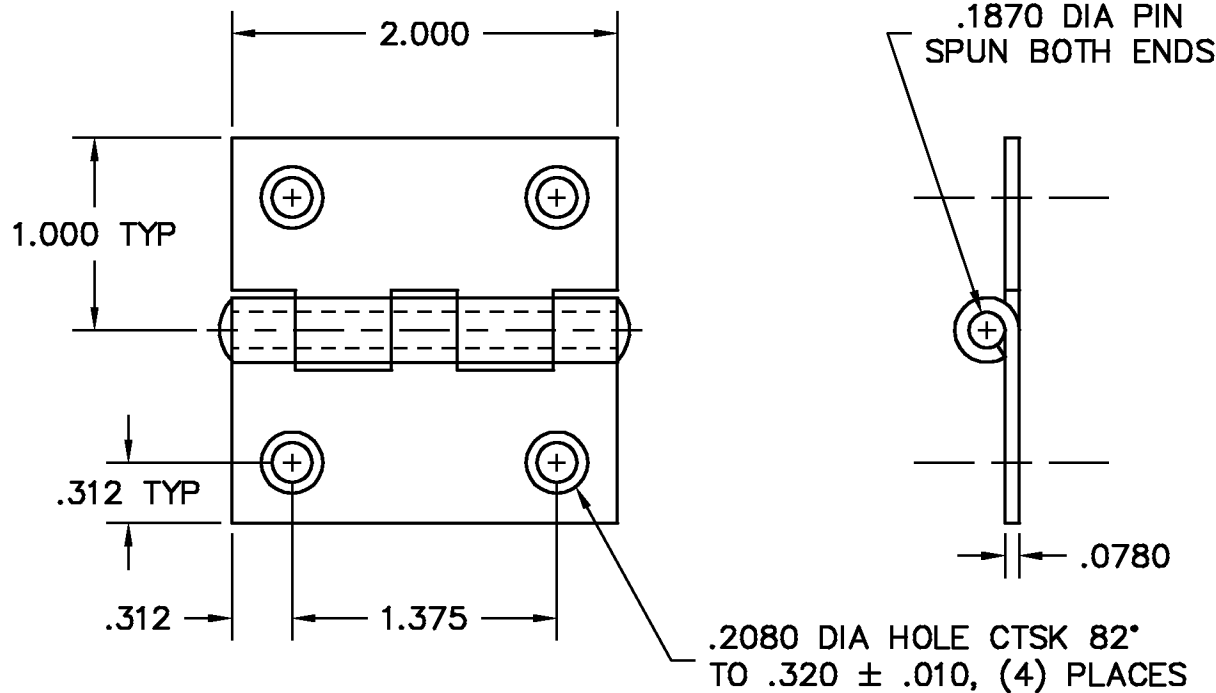
PROJECTIONS



TOLERANCES UNLESS OTHERWISE SPECIFIED:

| PLACES | INCH   |
|--------|--------|
| .XX    | ± .030 |
| .XXX   | ± .015 |
| .XXXX  | ± .005 |
| ANGLE  | 3°     |

NOTE:  
ACCEPTABLE BURR ± 10% OF MATERIAL THICKNESS  
ALL TOLERANCES ARE NON-CUMULATIVE  
ALL DIMENSIONS APPLY TO PART BEFORE ANY  
FINISH IS APPLIED



NOTES:

1. FINISH: 00- NO FINISH
2. KNUCKLE CONFIGURATION MAY VARY FROM PRINT

| LTR      | DESCRIPTION            | DATE     | APPD |
|----------|------------------------|----------|------|
| C        | MATERIAL THICK, NOTE 2 | 10/28/05 | CD   |
| B        | REDRAWN                | 12/22/98 | CD   |
| A        | REDRAWN                | 03/19/86 | CD   |
| REVISION |                        |          |      |

|                       |  |                        |                        |
|-----------------------|--|------------------------|------------------------|
| DWG<br>8000200718     |  | SCALE<br>1:1           | CODE IDENT. #<br>03007 |
| MATERIAL<br>STS       |  | FINISH<br>SEE NOTE     |                        |
| DR. BY RAG            |  | CK. BY CD              |                        |
| FAX: 1-631-737-2933   |  | 99 RAYNOR AVE.         |                        |
| EMAIL: info@guden.com |  | RONKONKOMA, N.Y. 11779 |                        |
| WEB: www.guden.com    |  | 1-800-3-HINGES         |                        |

