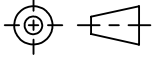


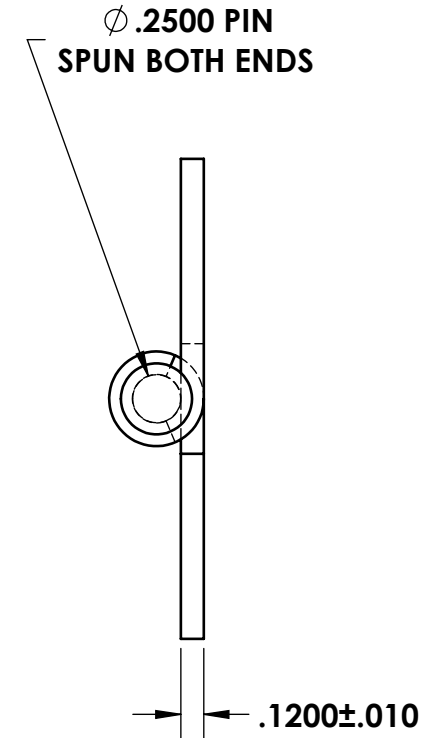
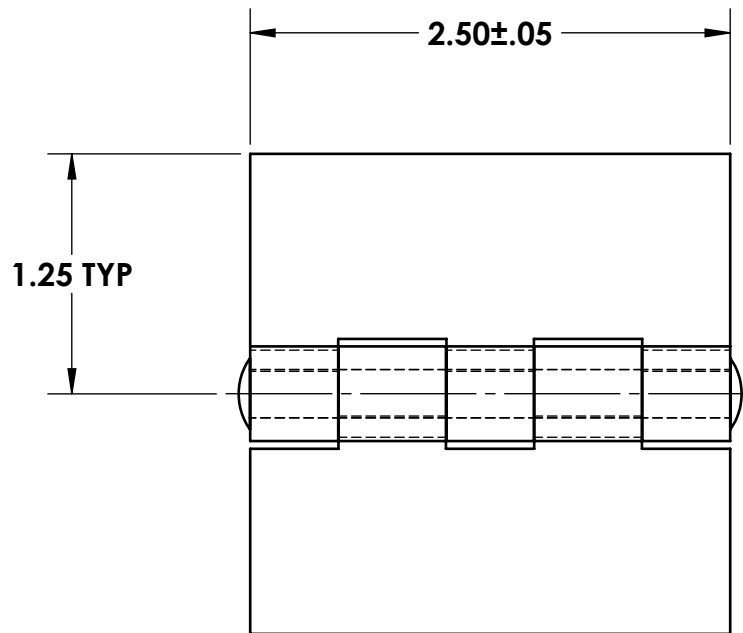
A
SIZE

PROJECTIONS



TOLERANCES UNLESS OTHERWISE SPECIFIED:

PLACES	INCHES	NOTES:
.XX	± .030	ACCEPTABLE BURR ± 10% OF MATERIAL THICKNESS
.XXX	± .015	ALL TOLERANCES ARE NON-CUMULATIVE
.XXXX	± .005	ALL DIMENSIONS APPLY TO PART BEFORE ANY
ANGLE	± 3°	FINISH IS APPLIED



NOTES:

1. FINISH: 00- NO FINISH
2. KNUCKLE CONFIGURATION MAY VARY FROM PRINT

REV. DESCRIPTION DATE APPD				DWG #:	SCALE	1:1	CODE IDENT. #
C	THICKNESS TOLERANCE	10/07/2021	JG	6000251225	DATE	10/05/1995	03007
B	MATERIAL THICK, NOTE 2	10/26/2005	CD		MATERIAL: PS	FINISH: SEE NOTE	
A	CHANGED KNUCKLE CONFIG.	10/17/2001	CD	DR. BY: RAG	CK. BY: RK		
REVISIONS				FAX: 1-631-737-2933		 GUDEN INDUSTRIAL HARDWARE MADE EASY 99 RAYNOR AVE. RONKONKOMA, N.Y. 11779 1-800-3-HINGES	
				EMAIL: info@guden.com			
				WEB: www.guden.com			