

A
SIZE

PROJECTIONS

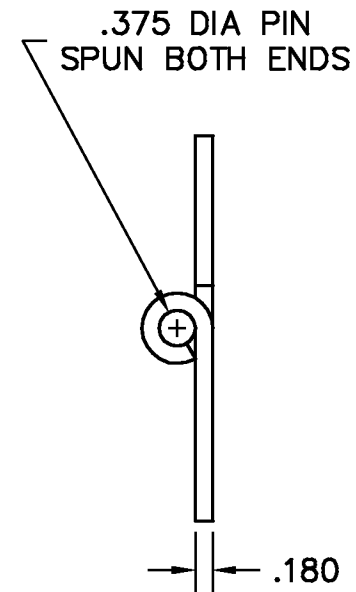
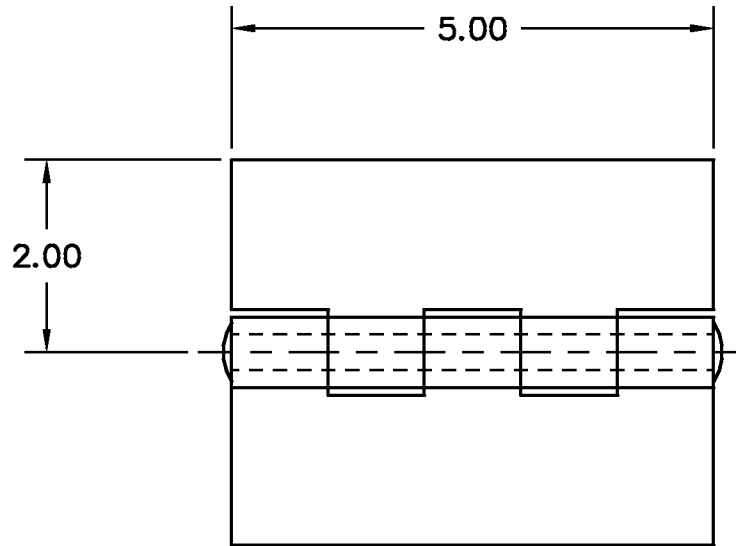


TOLERANCES UNLESS OTHERWISE SPECIFIED:

PLACES		INCH
.XX	±	.030
.XXX	±	.015
.XXXX	±	.005
ANGLE	±	3°

NOTE:

ACCEPTABLE BURR ± 10% OF MATERIAL THICKNESS
ALL TOLERANCES ARE NON-CUMULATIVE
ALL DIMENSIONS APPLY TO PART BEFORE ANY
FINISH IS APPLIED



NOTES:
1. FINISH: 00- NO FINISH

DWG 500050401837		SCALE 1:2	CODE IDENT. # 03007
MATERIAL PS	FINISH SEE NOTE	DATE 11/05/15	
DR. BY RAG	CK. BY JG		
FAX: 1-631-737-2933 EMAIL: info@guden.com WEB: www.guden.com			
		99 RAYNOR AVE. RONKONKOMA, N.Y. 11779 1-800-3-HINGES	

LTR	DESCRIPTION	DATE	APPD
	REVISION		