

A  
SIZE

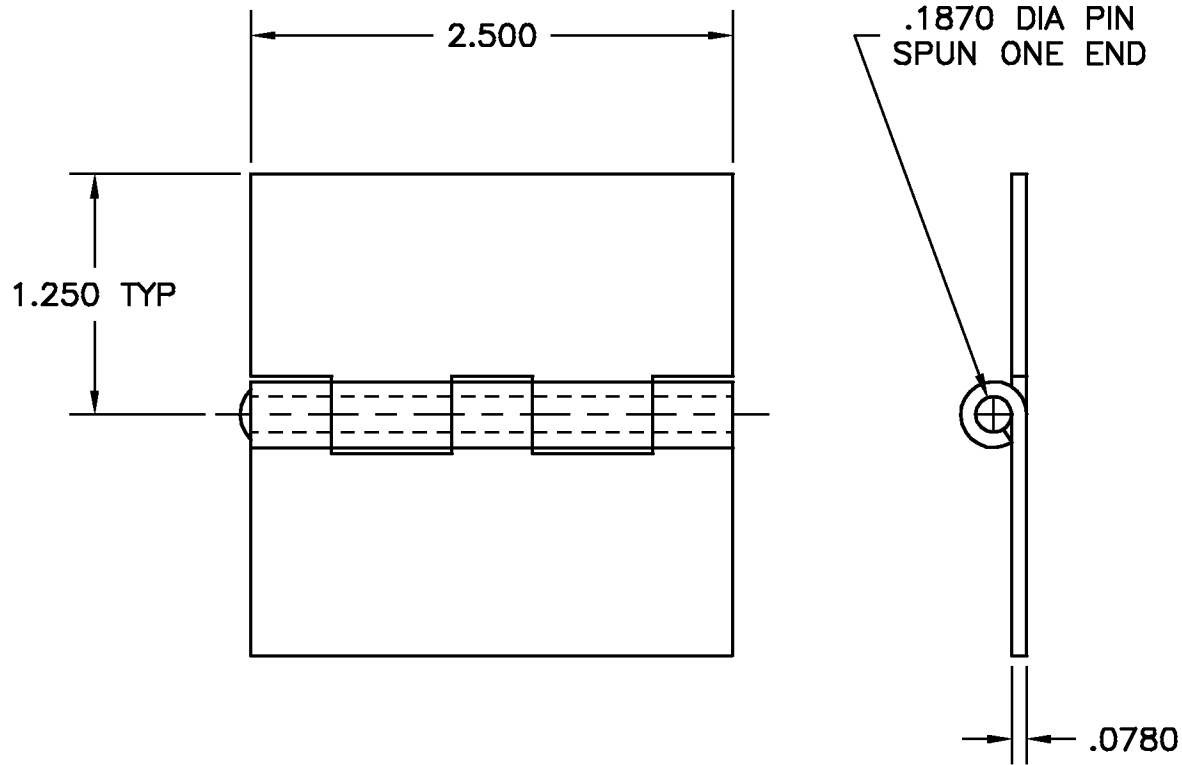
PROJECTIONS



TOLERANCES UNLESS OTHERWISE SPECIFIED:

PLACES	INCH
.XX	± .030
.XXX	± .015
.XXXX	± .005
ANGLE	3°

NOTE:  
ACCEPTABLE BURR ± 10% OF MATERIAL THICKNESS  
ALL TOLERANCES ARE NON-CUMULATIVE  
ALL DIMENSIONS APPLY TO PART BEFORE ANY FINISH IS APPLIED



- NOTES:  
1. FINISH: 00- NO FINISH  
2. KNUCKLE CONFIGURATION MAY VARY FROM PRINT

DWG 400025250718		SCALE 1:1	CODE IDENT. # 03007
MATERIAL PS	FINISH SEE NOTE		
DR. BY RAG	CK. BY CD		
FAX: 1-631-737-2933 EMAIL: info@guden.com WEB: www.guden.com		99 RAYNOR AVE. RONKONKOMA, N.Y. 11779 1-800-3-HINGES	

A	MATERIAL THICK, NOTE 2	10/28/05	CD
LTR	DESCRIPTION	DATE	APPD
REVISION			