

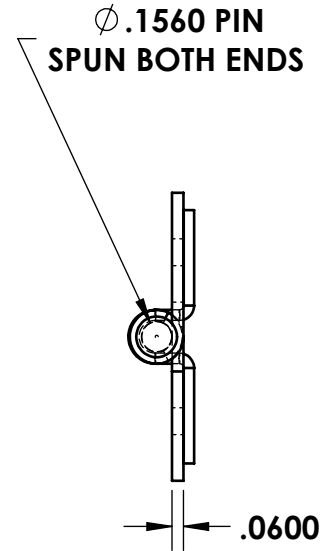
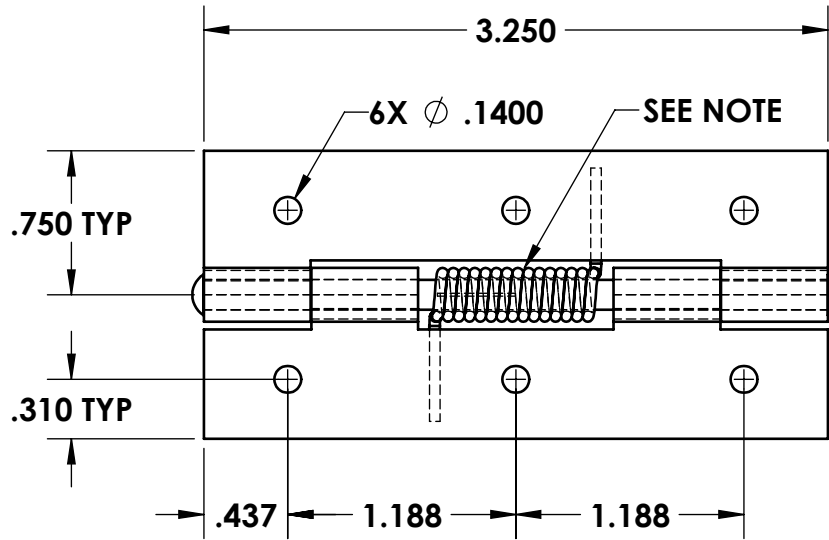
**A**  
SIZE

PROJECTIONS



TOLERANCES UNLESS OTHERWISE SPECIFIED:

PLACES	INCHES	NOTES:
.XX	± .030	ACCEPTABLE BURR ± 10% OF MATERIAL THICKNESS
.XXX	± .015	ALL TOLERANCES ARE NON-CUMULATIVE
.XXXX	± .005	ALL DIMENSIONS APPLY TO PART BEFORE ANY FINISH IS APPLIED
ANGLE	± 3°	



**NOTES:**

1. FINISH: 361 - BRIGHT ANNEALED
2. SPRING: LOADED TO CLOSE, (1) PLACE, .055 WIRE DIA., .63 LEGS
3. KNUCKLES: .55 REF.

DWG #:		SCALE	1:1	CODE IDENT. #
<b>WHSTS1125</b>		DATE	06/05/2006	03007
MATERIAL:	FINISH:	 <b>GUDEN</b> INDUSTRIAL HARDWARE MADE EASY 99 RAYNOR AVE. RONKONKOMA, N.Y. 11779 1-800-3-HINGES		
304-ST5	SEE NOTE			
DR. BY: RAG	CK. BY: CD			
FAX: 1-631-737-2933				
EMAIL: info@guden.com				
WEB: www.guden.com				

A	DESCRIPTION	DATE	APPD
	CONVERTED, FINISH	09/26/2017	JG
REV.	DESCRIPTION	DATE	APPD
REVISIONS			