

A
SIZE

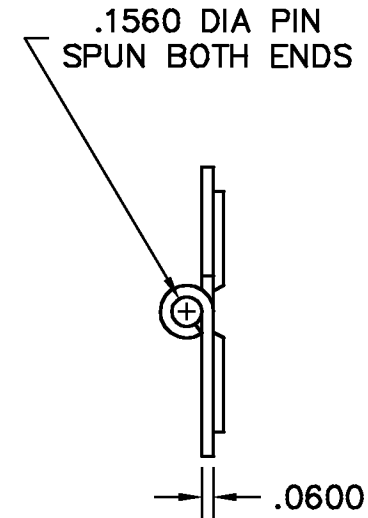
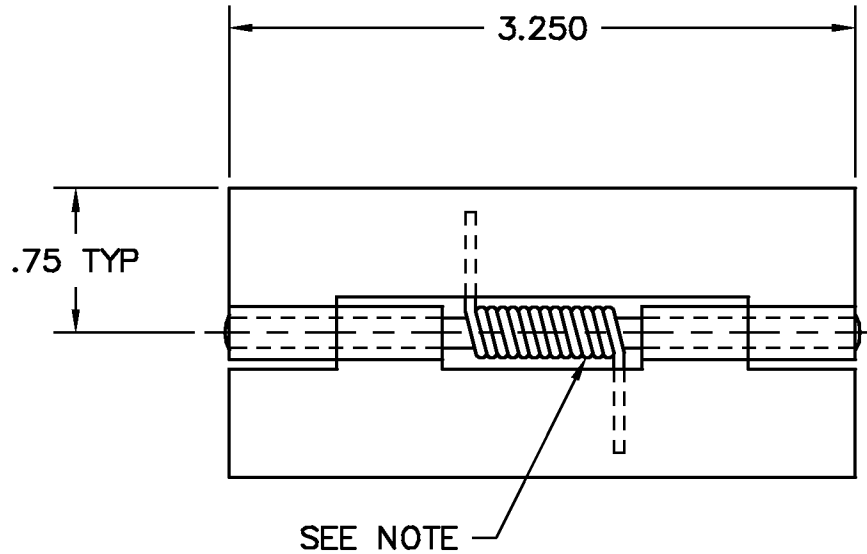
PROJECTIONS



TOLERANCES UNLESS OTHERWISE SPECIFIED:

PLACES	INCH
.XX	± .030
.XXX	± .015
.XXXX	± .005
ANGLE	3°

NOTE:
ACCEPTABLE BURR ± 10% OF MATERIAL THICKNESS
ALL TOLERANCES ARE NON-CUMULATIVE
ALL DIMENSIONS APPLY TO PART BEFORE ANY FINISH IS APPLIED



NOTES:

1. FINISH: 00- NO FINISH
2. SPRING: LOADED TO CLOSE (1) PLACE, .055 WIRE DIA., APPROX. (14) COILS, .60 REF, LEGS

DWG		SCALE	1:1	CODE IDENT. #
NHSTS1125		DATE	06/05/06	03007
MATERIAL	FINISH			
STS	SEE NOTE			
DR. BY RAG	CK. BY CD	99 RAYNOR AVE. RONKONKOMA, N.Y. 11779 1-800-3-HINGES		
FAX: 1-631-737-2933 EMAIL: info@guden.com WEB: www.guden.com				

A	OPEN WIDTH TOL.. SPRING LEGS	05/31/11	JG
LTR	DESCRIPTION	DATE	APPD
	REVISION		