

A  
SIZE

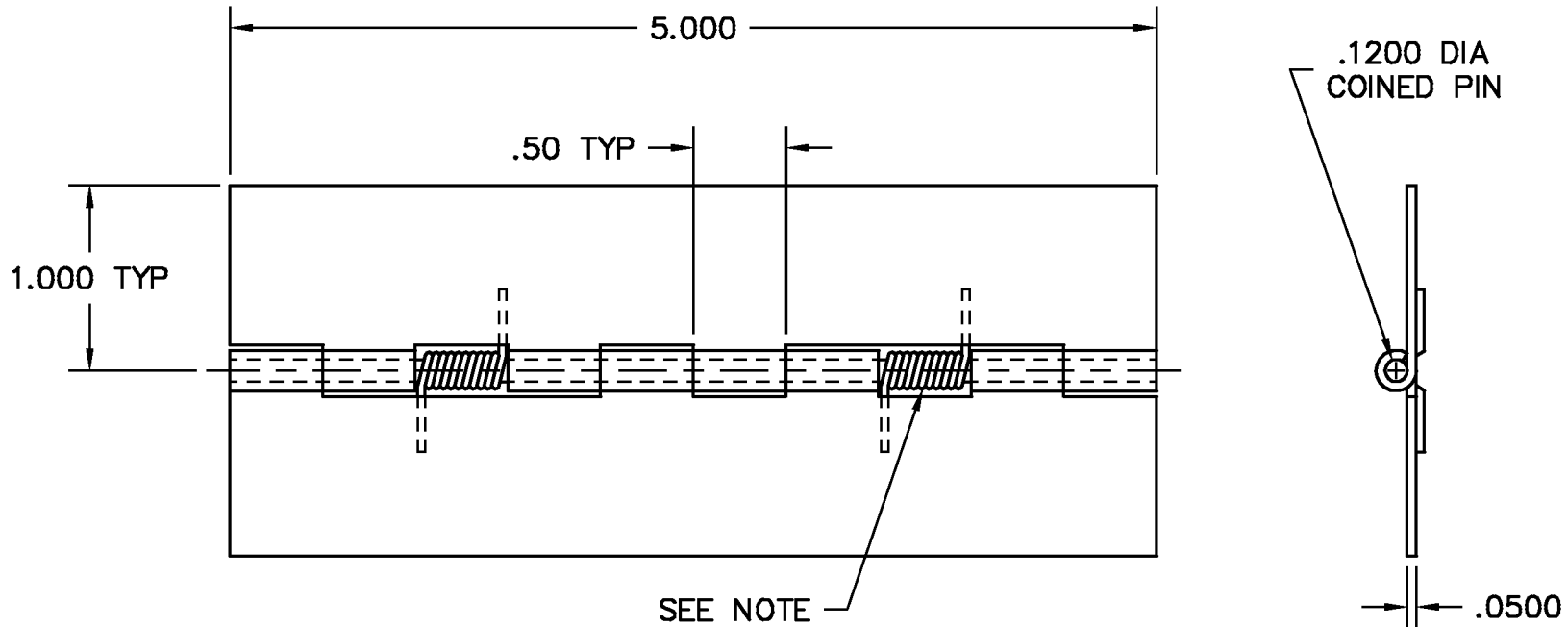
PROJECTIONS



TOLERANCES UNLESS OTHERWISE SPECIFIED:

PLACES	INCH
.XX	± .030
.XXX	± .015
.XXXX	± .005
ANGLE	3°

NOTE:  
ACCEPTABLE BURR ± 10% OF MATERIAL THICKNESS  
ALL TOLERANCES ARE NON-CUMULATIVE  
ALL DIMENSIONS APPLY TO PART BEFORE ANY FINISH IS APPLIED



NOTES:

1. FINISH: 00- NO FINISH
2. SPRING: SPR-011 LOADED TO CLOSE, (2) PLACES

DWG		SCALE	1:1	CODE IDENT. #
NHSTS1123		DATE	05/09/01	03007
MATERIAL	FINISH			
STS	SEE NOTE			
DR. BY RAG	CK. BY CD	<p>99 RAYNOR AVE. RONKONKOMA, N.Y. 11779 1-800-3-HINGES</p>		
<p>FAX: 1-631-737-2933 EMAIL: info@guden.com WEB: www.guden.com</p>				

LTR	DESCRIPTION	DATE	APPD
	REVISION		