

**A**  
SIZE

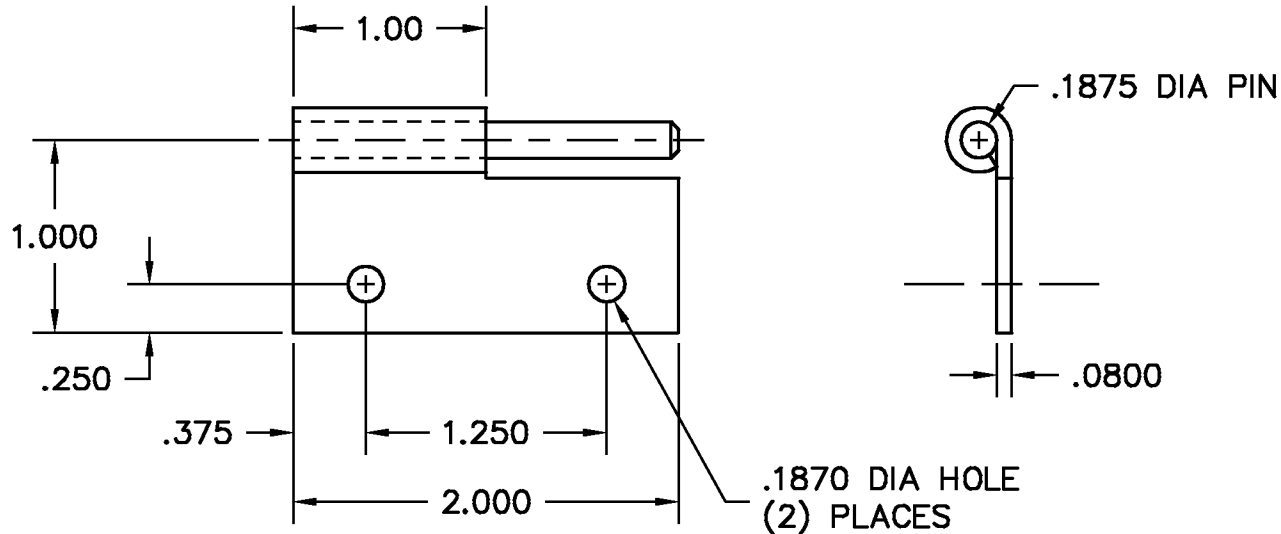
PROJECTIONS



TOLERANCES UNLESS OTHERWISE SPECIFIED:

| PLACES | INCH   |
|--------|--------|
| .XX    | ± .030 |
| .XXX   | ± .015 |
| .XXXX  | ± .005 |
| ANGLE  | 3°     |

NOTE:  
ACCEPTABLE BURR ± 10% OF MATERIAL THICKNESS  
ALL TOLERANCES ARE NON-CUMULATIVE  
ALL DIMENSIONS APPLY TO PART BEFORE ANY FINISH IS APPLIED



NOTES:  
1. FINISH: 00- NO FINISH

|  |                    |              |                        |
|--|--------------------|--------------|------------------------|
| DWG<br>WHPS80620RM   |                    | SCALE<br>1:1 | CODE IDENT. #<br>03007 |
| MATERIAL<br>PS   | FINISH<br>SEE NOTE |              |                        |
| DR. BY RAG   | CK. BY CD          |              |                        |
| FAX: 1-631-737-2933<br>EMAIL: info@guden.com<br>WEB: www.guden.com |                    |              |                        |
| 99 RAYNOR AVE.<br>RONKONKOMA, N.Y. 11779<br>1-800-3-HINGES         |                    |              |                        |

| B        | MATERIAL THICKNESS | 01/22/09 | CD   |
|----------|--------------------|----------|------|
| A        | MATERIAL THICKNESS | 12/19/08 | CD   |
| LTR      | DESCRIPTION        | DATE     | APPD |
| REVISION |                    |          |      |