

A
SIZE

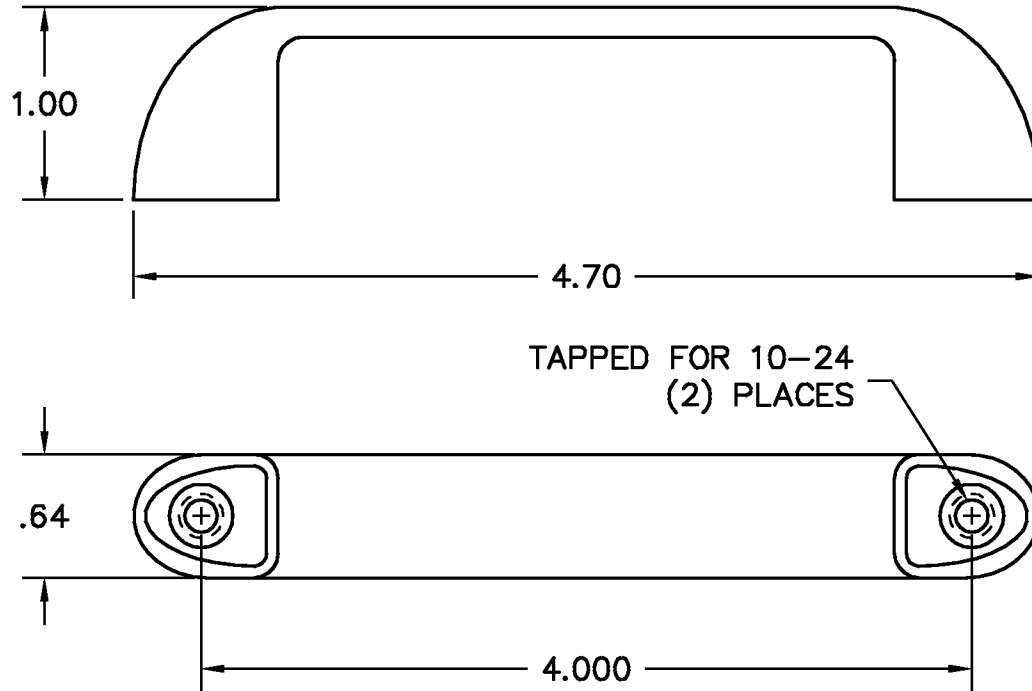
PROJECTIONS



TOLERANCES UNLESS OTHERWISE SPECIFIED:

PLACES		INCH
.XX	±	.030
.XXX	±	.015
.XXXX	±	.005
ANGLE	±	3°

NOTE:
ACCEPTABLE BURR ± 10% OF MATERIAL THICKNESS
ALL TOLERANCES ARE NON-CUMULATIVE
ALL DIMENSIONS APPLY TO PART BEFORE ANY
FINISH IS APPLIED



NOTES:

1. FINISH: 45- RACK BRITE NICKEL & CHROME
2. MATERIAL: ZINC DIE CAST

DWG		SCALE	1:1	CODE IDENT. #
2197-26		DATE	07/07/99	03007
MATERIAL	FINISH			
SEE NOTE	SEE NOTE			
DR. BY RAG	CK. BY CD	99 RAYNOR AVE. RONKONKOMA, N.Y. 11779 1-800-3-HINGES		
FAX: 1-631-737-2933 EMAIL: info@guden.com WEB: www.guden.com				
REVISION				

B	DESCRIPTION	DATE	APPD
	VARIOUS DIM CHANGES	03/16/00	CD
A	REDRAWN	07/07/99	CD