

**A**  
SIZE

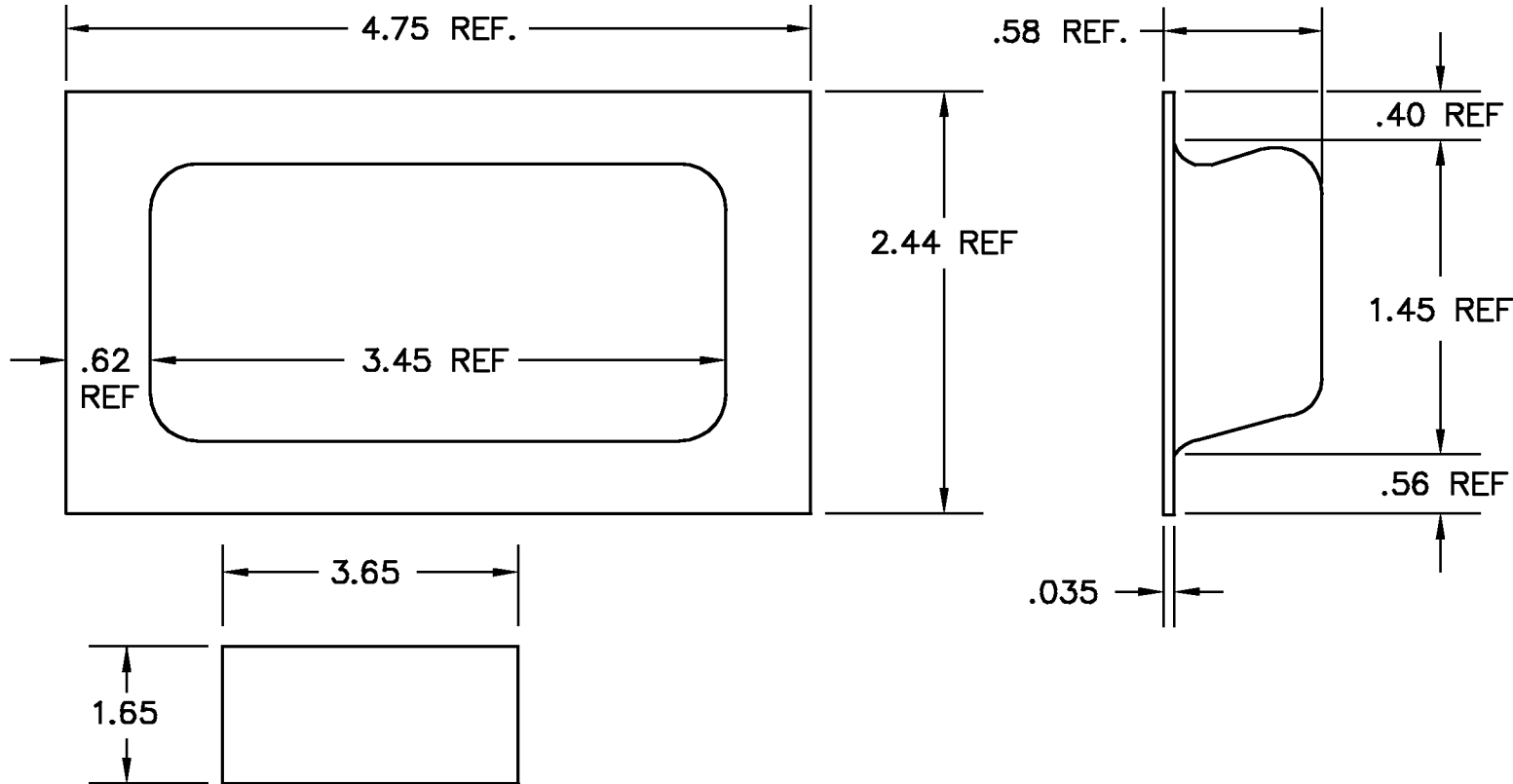
PROJECTIONS



TOLERANCES UNLESS OTHERWISE SPECIFIED:

PLACES	INCH
.XX	± .030
.XXX	± .015
.XXXX	± .005
ANGLE	3°

NOTE:  
ACCEPTABLE BURR ± 10% OF MATERIAL THICKNESS  
ALL TOLERANCES ARE NON-CUMULATIVE  
ALL DIMENSIONS APPLY TO PART BEFORE ANY FINISH IS APPLIED



MOUNTING TEMPLATE

NOTES:  
1. FINISH: 29A BRUSHED TOP SIDE ONLY

DWG		SCALE	N/A	CODE IDENT. #
1898-32D		DATE	11/30/94	03007
MATERIAL	FINISH			
STS	SEE NOTE			
DR. BY RAG	CK. BY RK	99 RAYNOR AVE. RONKONKOMA, N.Y. 11779 1-800-3-HINGES		
FAX: 1-631-737-2933				
EMAIL: info@guden.com				
WEB: www.guden.com				

B	DESCRIPTION	DATE	APPD
	VARIOUS CHANGES	03/05/01	CD
	VARIOUS DIM CHANGES	04/07/95	RK
LTR	REVISION		