

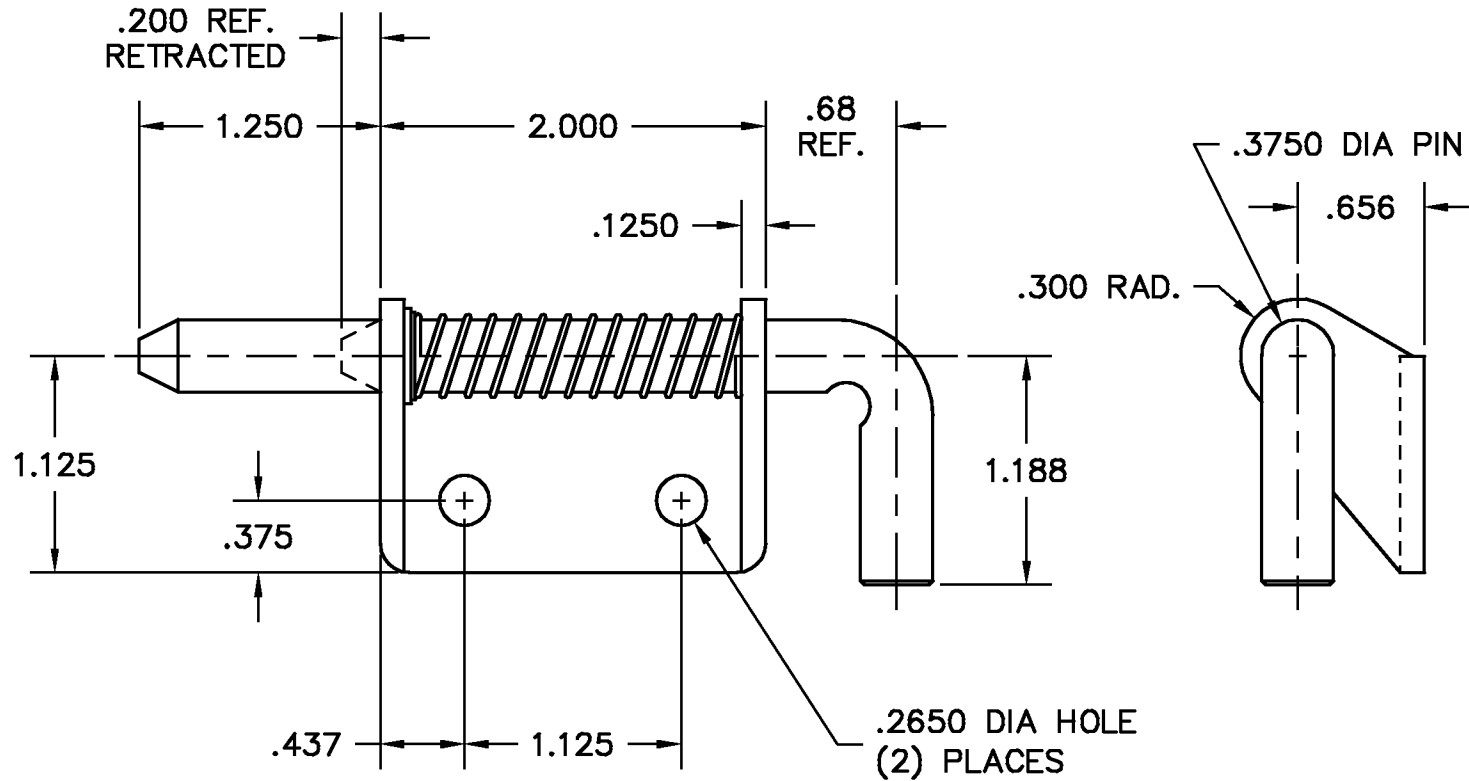
A  
SIZE

PROJECTIONS



TOLERANCES UNLESS OTHERWISE SPECIFIED:

PLACES	INCH	NOTE:
.XX	± .030	ACCEPTABLE BURR ± 10% OF MATERIAL THICKNESS ALL TOLERANCES ARE NON-CUMULATIVE ALL DIMENSIONS APPLY TO PART BEFORE ANY FINISH IS APPLIED
.XXX	± .015	
.XXXX	± .005	
ANGLE	3°	



NOTES:

1. FINISH: 90- BARREL ZINC & CLEAR CHROMATE
2. THRU HOLE (2 PL) TO BE // WITHIN .020 OF BOTTOM. REF. .656 DIM.

LTR	DESCRIPTION	DATE	APPD
C	ADDED // NOTE	01/04/02	CD
B	VARIOUS CHANGES	07/24/01	CD
A	ADDED RETRACTED DIM	03/19/97	CD
REVISION			

DWG 9296LH-02		SCALE 1:1	CODE IDENT. # 03007
MATERIAL PS		DATE 07/31/96	
FINISH SEE NOTE			
DR. BY RAG CK. BY CD			
FAX: 1-631-737-2933 EMAIL: info@guden.com WEB: www.guden.com		99 RAYNOR AVE. RONKONKOMA, N.Y. 11779 1-800-3-HINGES	