

A
SIZE

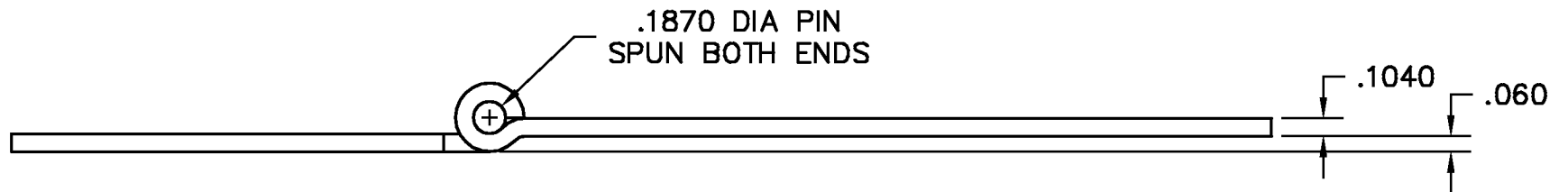
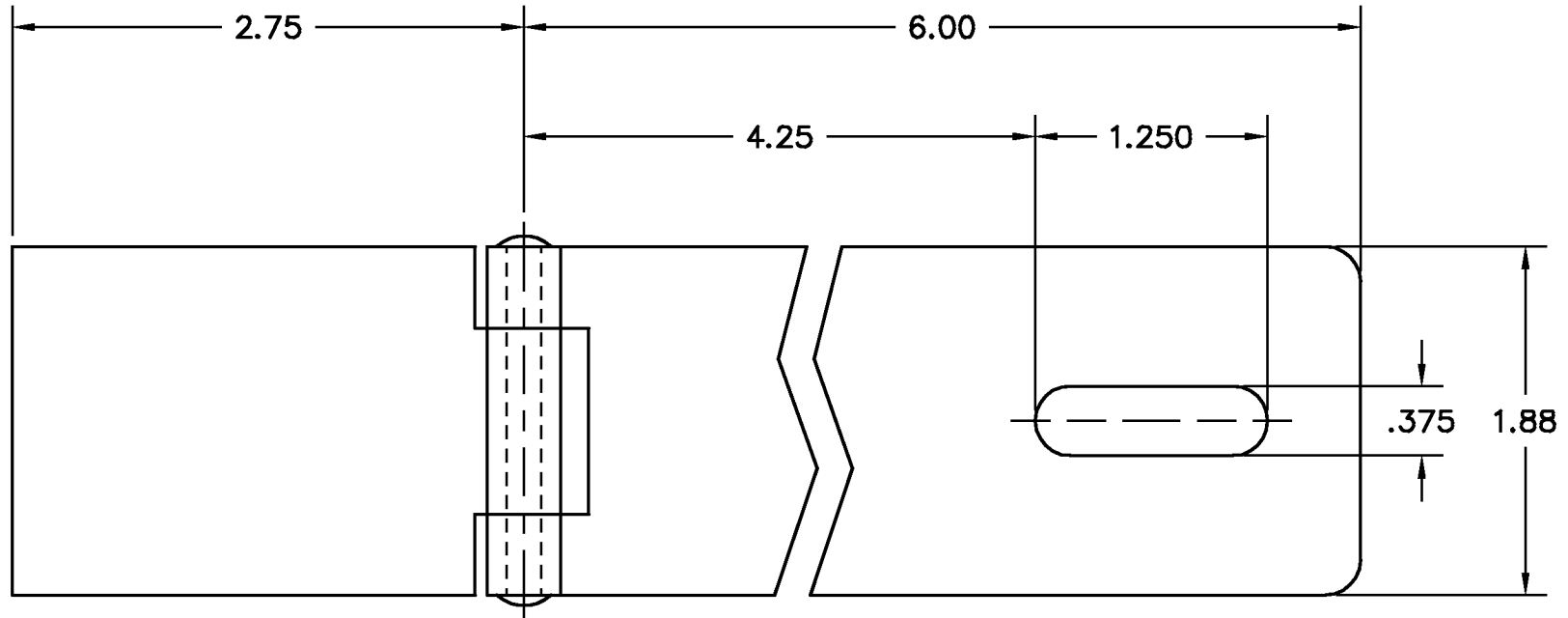
PROJECTIONS



TOLERANCES UNLESS OTHERWISE SPECIFIED:

PLACES	INCH
.XX	± .030
.XXX	± .015
.XXXX	± .005
ANGLE	3°

NOTE:
ACCEPTABLE BURR ± 10% OF MATERIAL THICKNESS
ALL TOLERANCES ARE NON-CUMULATIVE
ALL DIMENSIONS APPLY TO PART BEFORE ANY FINISH IS APPLIED



NOTES:
1. FINISH: 21- ELECTRO POLISH

DWG NHSTS91160		SCALE 1:1	CODE IDENT. # 03007
MATERIAL STS		DATE 04/16/99	FINISH SEE NOTE
DR. BY RAG		CK. BY CD	
FAX: 1-631-737-2933		99 RAYNOR AVE.	
EMAIL: info@guden.com		RONKONKOMA, N.Y. 11779	
WEB: www.guden.com		1-800-3-HINGES	

B	DESCRIPTION	DATE	APPD
B	REDRAWN	04/16/99	CD
A	REDRAWN	12/19/91	CD
LTR	DESCRIPTION	DATE	APPD
REVISION			

