

A
SIZE

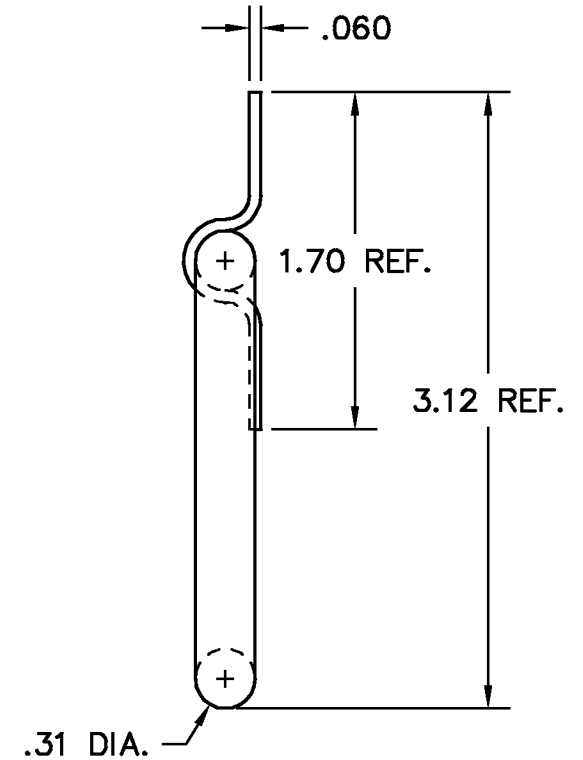
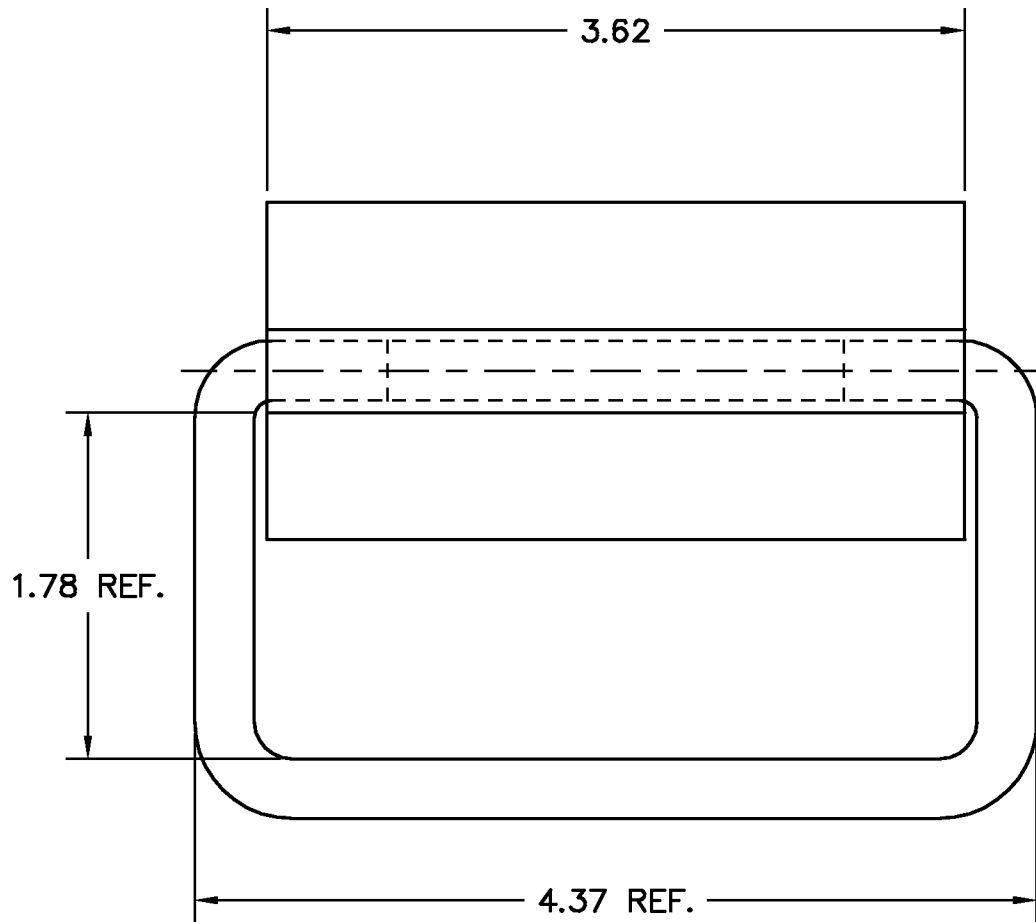
PROJECTIONS



TOLERANCES UNLESS OTHERWISE SPECIFIED:

| PLACES | INCH |
|--------|--------|
| .XX | ± .030 |
| .XXX | ± .015 |
| .XXXX | ± .005 |
| ANGLE | ± 3° |

NOTE:
ACCEPTABLE BURR ± 10% OF MATERIAL THICKNESS
ALL TOLERANCES ARE NON-CUMULATIVE
ALL DIMENSIONS APPLY TO PART BEFORE ANY FINISH IS APPLIED



NOTES:
1. FINISH: 00- NO FINISH

| LTR | DESCRIPTION | DATE | APPD |
|-----|-------------------|----------|------|
| E | 1.70 REF WAS 1.75 | 05/18/10 | DW |
| D | REDRAWN | 06/01/99 | AG |
| C | REDRAWN | 01/28/92 | AG |
| B | VARIOUS CHANGES | 10/02/91 | AG |
| A | REDRAWN | 08/18/87 | AG |

REVISION

| | |
|------------|-----------|
| DWG | |
| NHPS8310 | |
| MATERIAL | FINISH |
| PS | SEE NOTE |
| DR. BY RAG | CK. BY CD |

| | | |
|-------|----------|---------------|
| SCALE | 1:1 | CODE IDENT. # |
| DATE | 06/01/99 | 03007 |



FAX: 1-631-737-2933
EMAIL: info@guden.com
WEB: www.guden.com

99 RAYNOR AVE.
RONKONKOMA, N.Y. 11779
1-800-3-HINGES