

A
SIZE

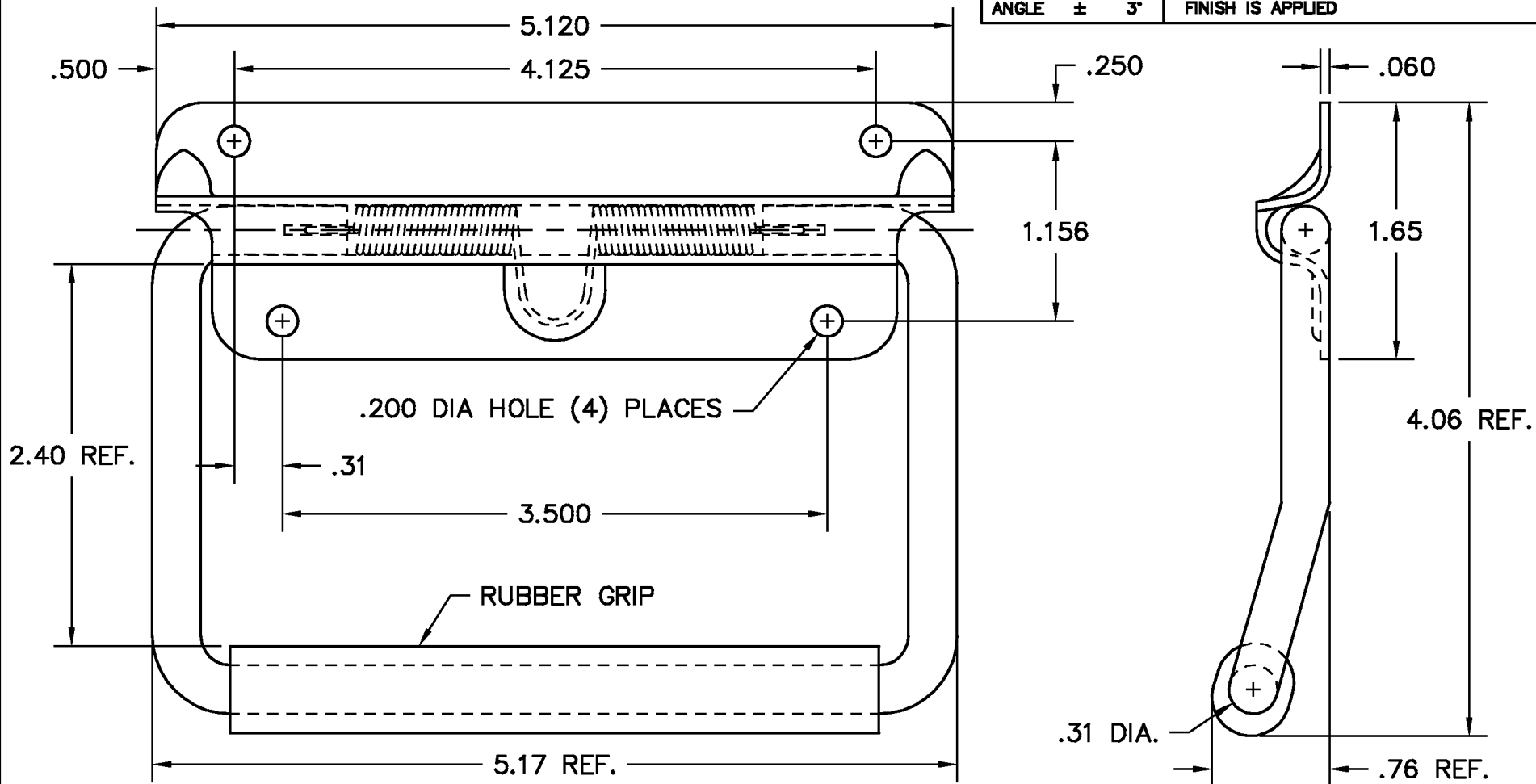
PROJECTIONS



TOLERANCES UNLESS OTHERWISE SPECIFIED:

PLACES	INCH
.XX	± .030
.XXX	± .015
.XXXX	± .005
ANGLE	± 3°

NOTE:
ACCEPTABLE BURR ± 10% OF MATERIAL THICKNESS
ALL TOLERANCES ARE NON-CUMULATIVE
ALL DIMENSIONS APPLY TO PART BEFORE ANY FINISH IS APPLIED



NOTES:
1. FINISH: 75- BARREL NICKEL

DWG	
8315-14	
MATERIAL	FINISH
PS	SEE NOTE
DR. BY RAG	CK. BY CD
FAX: 1-631-737-2933	
EMAIL: info@guden.com	
WEB: www.guden.com	

SCALE	1:1	CODE IDENT. #
DATE	06/03/99	03007

LTR	DESCRIPTION	DATE	APPD
C	REDRAWN	06/03/99	CD
B	REDRAWN	10/01/91	AG
A	REDRAWN	08/18/87	AG
REVISION			



99 RAYNOR AVE.
RONKONKOMA, N.Y. 11779
1-800-3-HINGES