

**A**  
SIZE

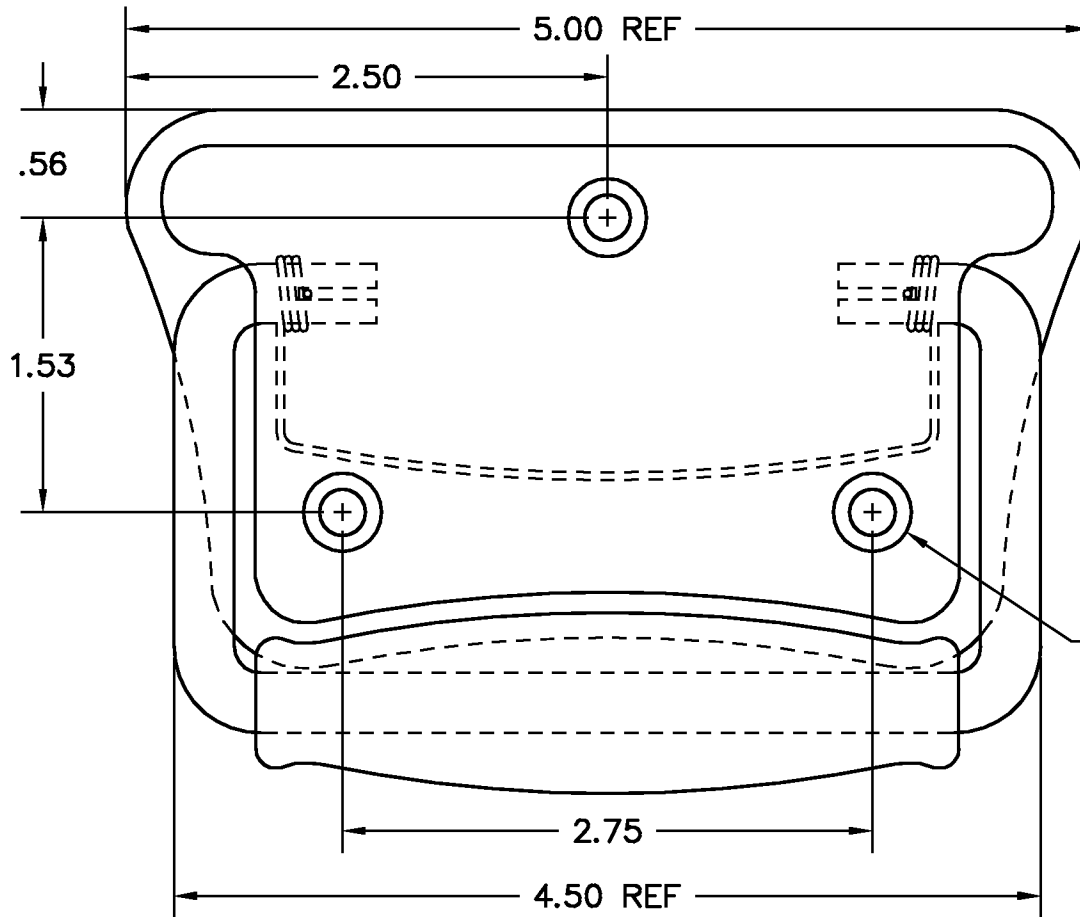
PROJECTIONS



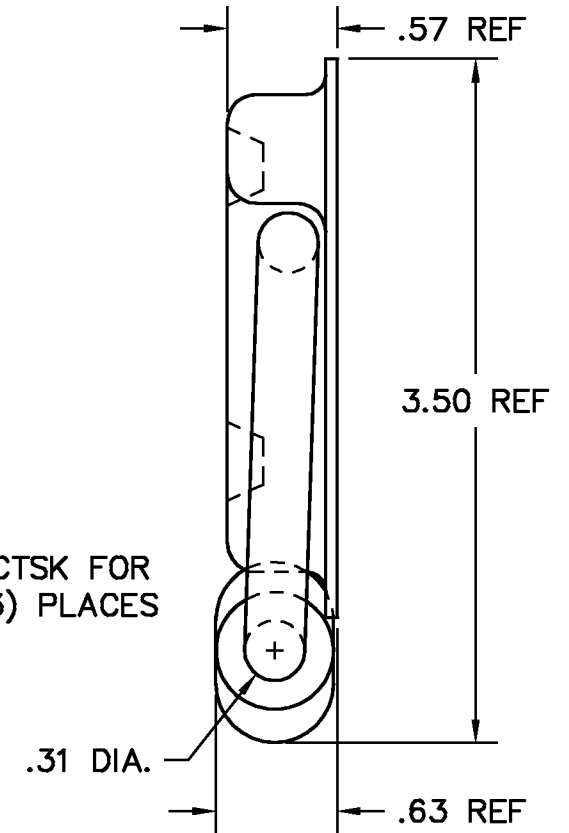
TOLERANCES UNLESS OTHERWISE SPECIFIED:

PLACES	INCH
.XX	± .030
.XXX	± .015
.XXXX	± .005
ANGLE	3°

NOTE:  
ACCEPTABLE BURR ± 10% OF MATERIAL THICKNESS  
ALL TOLERANCES ARE NON-CUMULATIVE  
ALL DIMENSIONS APPLY TO PART BEFORE ANY FINISH IS APPLIED



PRESSURE CTSK FOR #10 FHS, (3) PLACES



- NOTES:  
1. FINISH: 75- BARREL NICKEL  
2. SPRING LOADED WITH 90° (REF.) STOP

LTR	REVISION	DESCRIPTION	DATE	APPD
E	REDRAWN		06/17/99	CD
D	REDRAWN		03/24/92	AG
C	WAS "B" SIZE, NOW "A" SIZE		10/08/91	AG
B	ADDED "CHEST HANDLE"		10/02/91	AG
A	STEEL WAS STS		07/16/91	AG

DWG	
1209-14	
MATERIAL	FINISH
PS	SEE NOTE
DR. BY RAG	CK. BY CD
FAX: 1-631-737-2933	
EMAIL: info@guden.com	
WEB: www.guden.com	

SCALE	1:1	CODE IDENT. #
DATE	06/17/99	03007
99 RAYNOR AVE. RONKONKOMA, N.Y. 11779 1-800-3-HINGES		