

A
SIZE

PROJECTIONS



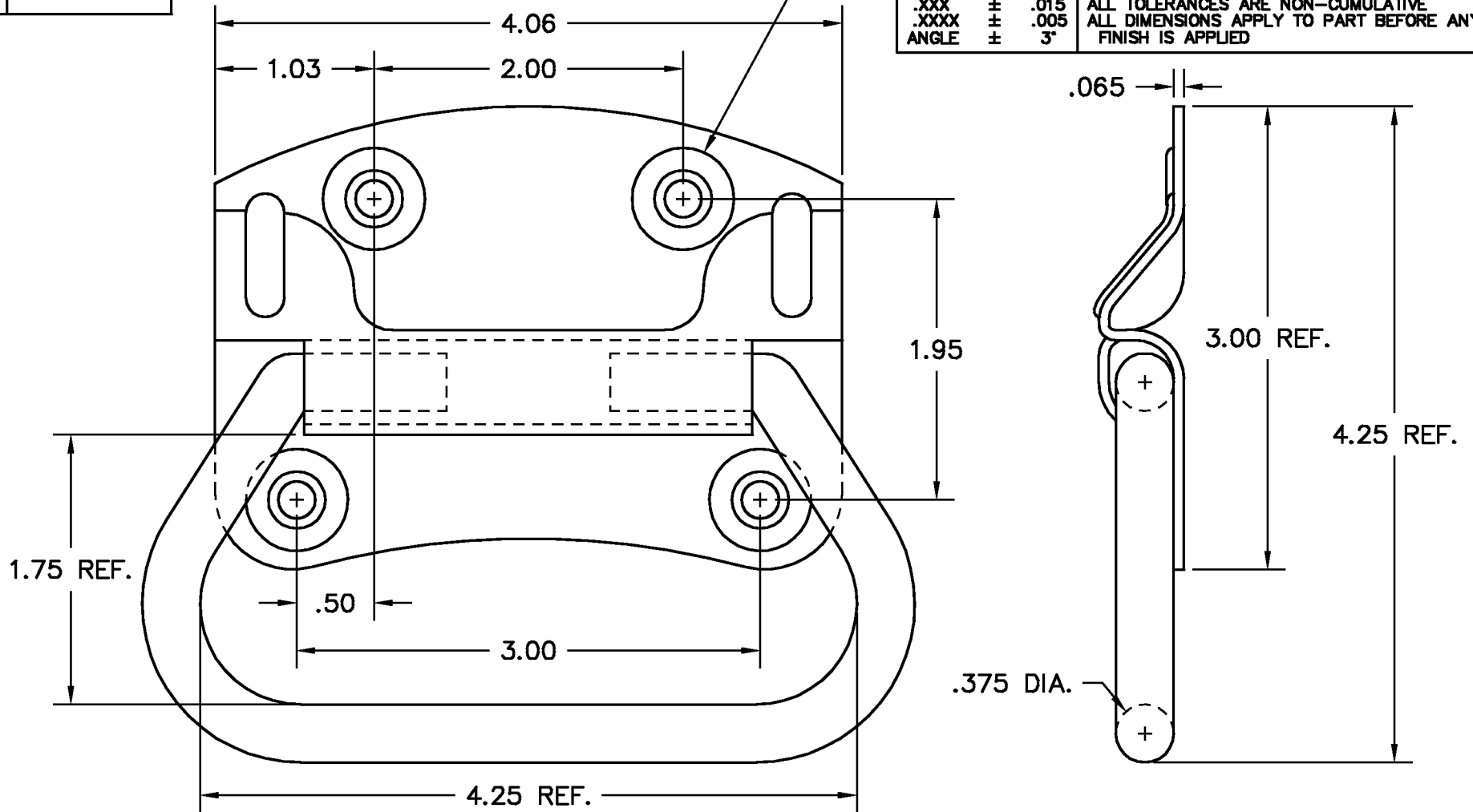
PRESSURE CTSK FOR #10 FHS
(4) PLACES

TOLERANCES UNLESS OTHERWISE SPECIFIED:

PLACES	INCH
.XX	± .030
.XXX	± .015
.XXXX	± .005
ANGLE	± 3°

NOTE:

ACCEPTABLE BURR ± 10% OF MATERIAL THICKNESS
ALL TOLERANCES ARE NON-CUMULATIVE
ALL DIMENSIONS APPLY TO PART BEFORE ANY
FINISH IS APPLIED



NOTES:
1. FINISH: 90- BARREL ZINC & CLEAR CHROMATE

DWG
1205-400-02

SCALE	1:1	CODE IDENT. #
DATE	06/01/99	03007

MATERIAL PS FINISH SEE NOTE

DR. BY RAG CK. BY CD

GUDEN
DELIVERING HARDWARE EXCELLENCE

LTR	DESCRIPTION	DATE	APPD
B	REDRAWN	06/01/99	CD
A	REDRAWN	02/03/92	CD
REVISION			

FAX: 1-631-737-2933
EMAIL: info@guden.com
WEB: www.guden.com

99 RAYNOR AVE.
RONKONKOMA, N.Y. 11779
1-800-3-HINGES