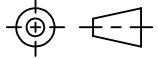


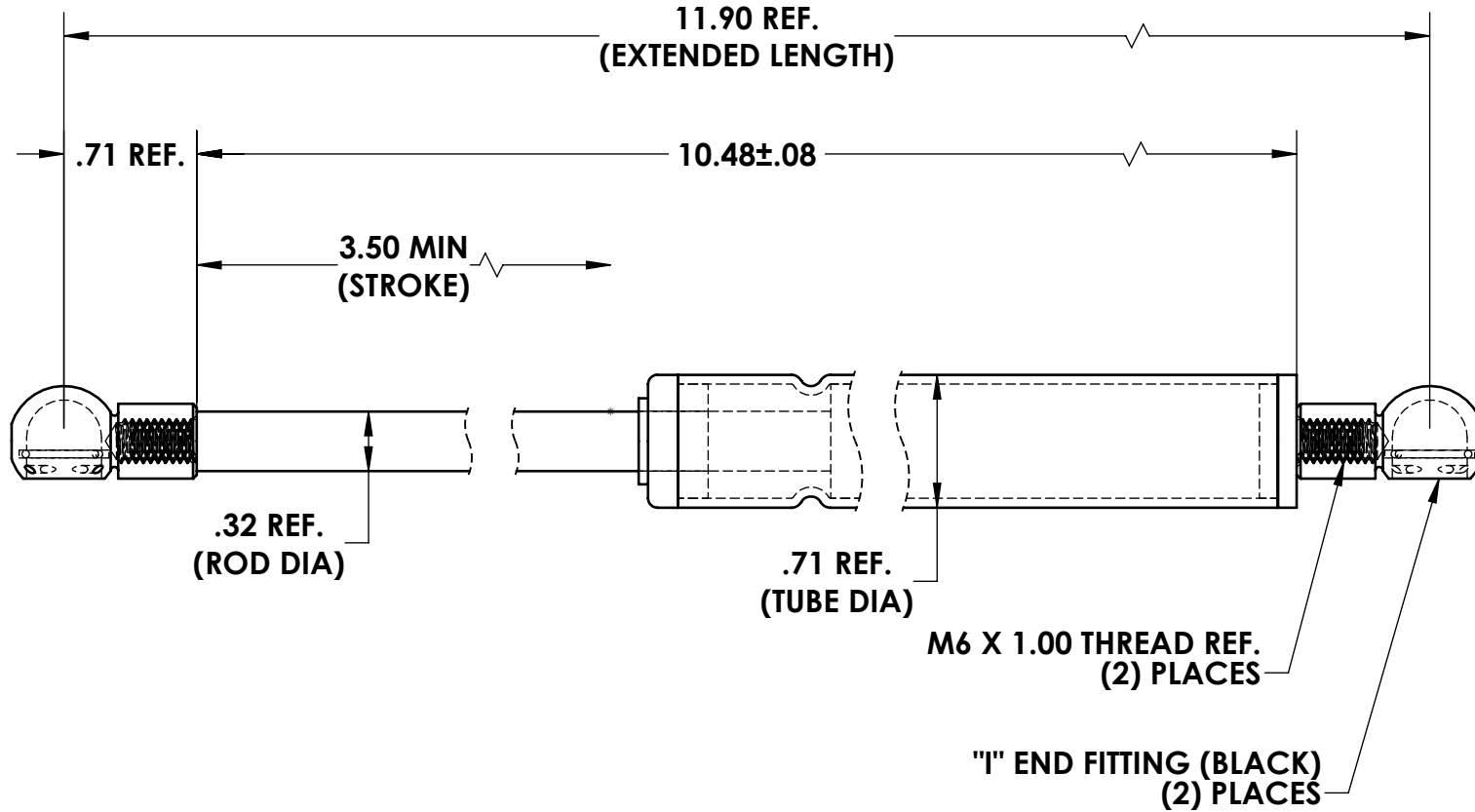
**A**  
SIZE

PROJECTIONS



TOLERANCES UNLESS OTHERWISE SPECIFIED:

PLACES	INCHES	NOTES:
.XX	± .030	ACCEPTABLE BURR ± 10% OF MATERIAL THICKNESS
.XXX	± .015	ALL TOLERANCES ARE NON-CUMULATIVE
.XXXX	± .005	ALL DIMENSIONS APPLY TO PART BEFORE ANY FINISH IS APPLIED
ANGLE	± 3°	



**NOTES:**

1. FINISH: 51A BLACK PAINT (TUBE) AND BLACK NITRIDE (ROD)
2. PART MARK WITH GUDEN P/N AND DATE CODE
3. P1 FORCE = 40 lbs. ± 5.0 lbs.

DWG #: <b>GGN21-040-1</b>		SCALE 1:1	CODE IDENT. # 03007
MATERIAL: PS		DATE 03/22/2017	FINISH: SEE NOTE
DR. BY: RAG		CK. BY: JPG	
FAX: 1-631-737-2933		 <b>GUDEN</b> INDUSTRIAL HARDWARE MADE EASY 99 RAYNOR AVE. RONKONKOMA, N.Y. 11779 1-800-3-HINGES	
EMAIL: info@guden.com			
WEB: www.guden.com			

REV.	DESCRIPTION	DATE	APPD
REVISIONS			