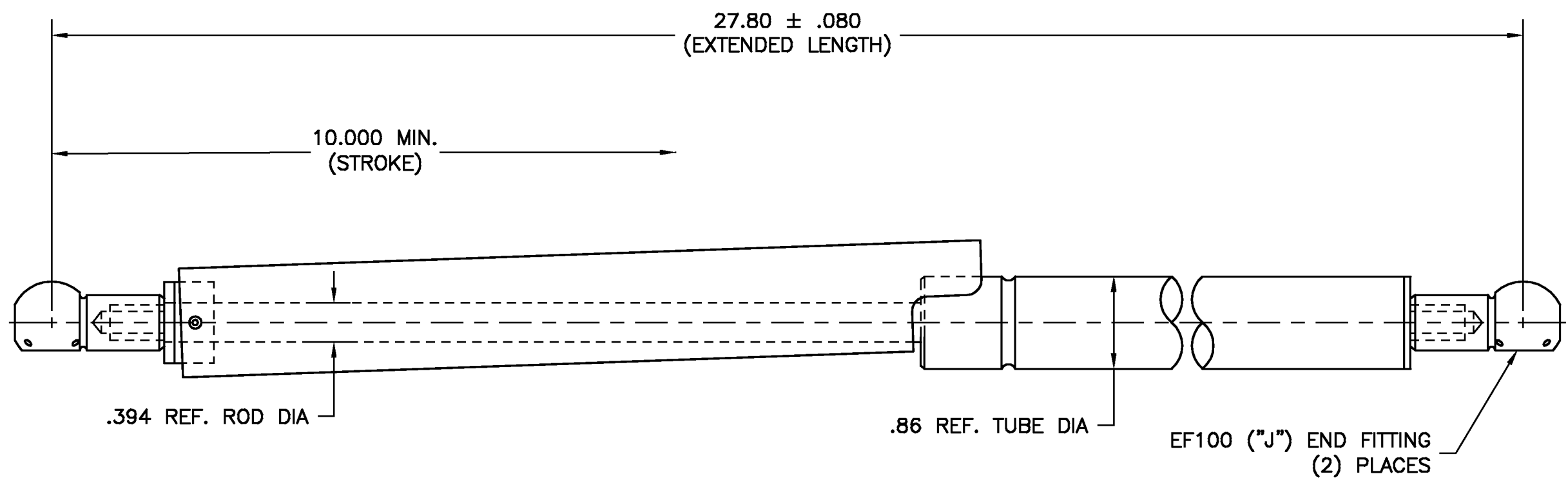


B
SIZE

PROJECTIONS

TOLERANCES UNLESS OTHERWISE SPECIFIED:

| PLACES | INCH | NOTE: |
|--------|--------|---|
| .XX | ± .030 | ACCEPTABLE BURR ± 10% OF MATERIAL THICKNESS ALL TOLERANCES ARE NON-CUMULATIVE ALL DIMENSIONS APPLY TO PART BEFORE ANY FINISH IS APPLIED |
| .XXX | ± .015 | |
| .XXXX | ± .005 | |
| ANGLE | 3° | |



- NOTES:
1. FINISH: 51- BLACK PAINT (TUBE) AND BLACK NITROTEC (ROD)
 2. LABEL TO BE STAMPED WITH CORRESPONDING GUDEN P/N AND DATE CODE. (DATE CODE EX.: 09/04 IS THE 9th MONTH OF 2004)
 3. P1 FORCE = 200 lbs ± 7.0 lbs

| B | REMOVED PLASTIC CAP | 01/17/12 | JG |
|----------|---------------------|----------|------|
| A | CHANGED LOCK TUBE | 09/29/04 | CD |
| LTR | DESCRIPTION | DATE | APPD |
| REVISION | | | |

| | | | |
|--|-----------|--|---------------|
| DWG | SCALE | N/A | CODE IDENT. # |
| ECL31-200-J | DATE | 05/11/04 | 03007 |
| MATERIAL | FINISH | | |
| PS | SEE NOTE | | |
| DR. BY RAG | CK. BY CD | 99 RAYNOR AVE. RONKONKOMA, N.Y. 11779 1-800-3-HINGES | |
| FAX: 1-631-737-2933 EMAIL: info@guden.com WEB: www.guden.com | | | |