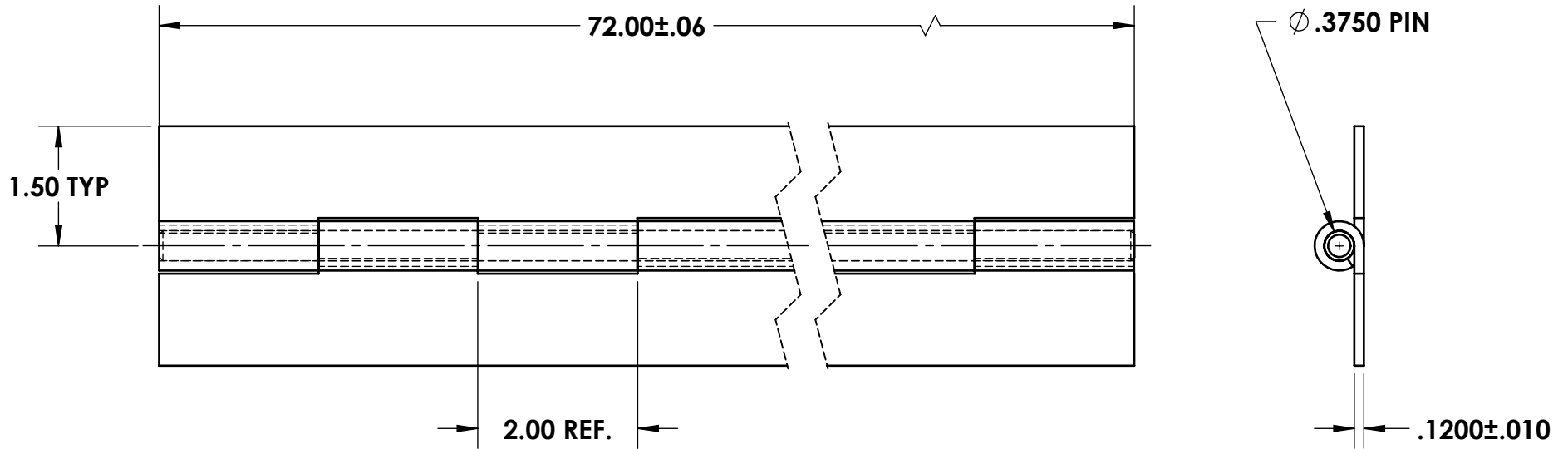


**A**  
SIZE

PROJECTIONS

TOLERANCES UNLESS OTHERWISE SPECIFIED:		
PLACES	INCHES	NOTES:
.XX	± .030	ACCEPTABLE BURR ± 10% OF MATERIAL THICKNESS
.XXX	± .015	ALL TOLERANCES ARE NON-CUMULATIVE
.XXXX	± .005	ALL DIMENSIONS APPLY TO PART BEFORE ANY FINISH IS APPLIED
ANGLE	± 3°	



NOTES:  
1. FINISH: 00- NO FINISH

DWG #: <b>SS10090810-72</b>		SCALE 1:2	CODE IDENT. # 03007
		DATE 09/24/2004	
MATERIAL: 304-ST3	FINISH: SEE NOTE	 <b>GUDEN</b> INDUSTRIAL HARDWARE MADE EASY 99 RAYNOR AVE. RONKONKOMA, N.Y. 11779 1-800-3-HINGES	
DR. BY: RAG	CK. BY: CD		
FAX: 1-631-737-2933 EMAIL: info@guden.com WEB: www.guden.com			

A	THICKNESS TOLERANCE	12/21/2017	JG
REV.	DESCRIPTION	DATE	APPD
REVISIONS			