

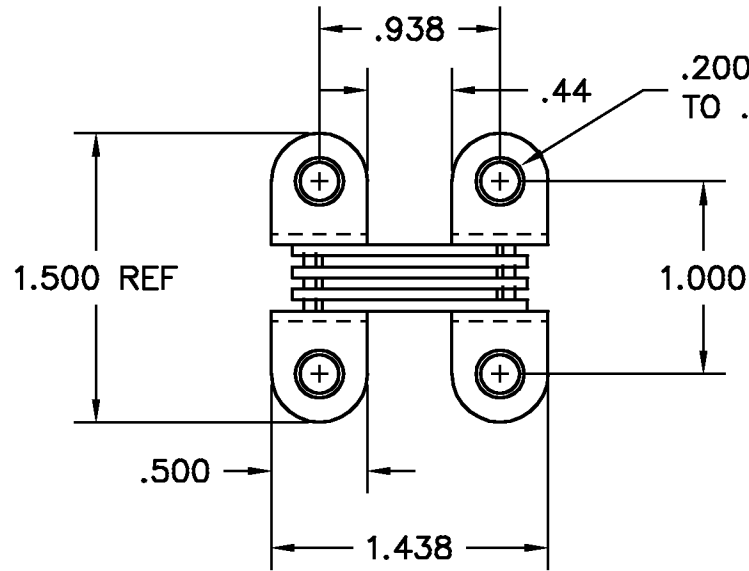
A
SIZE

PROJECTIONS

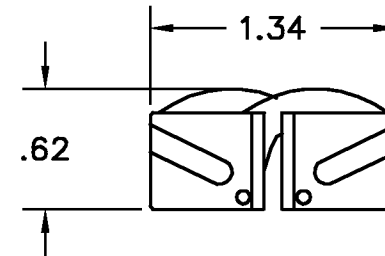
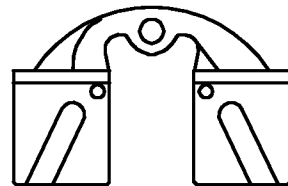
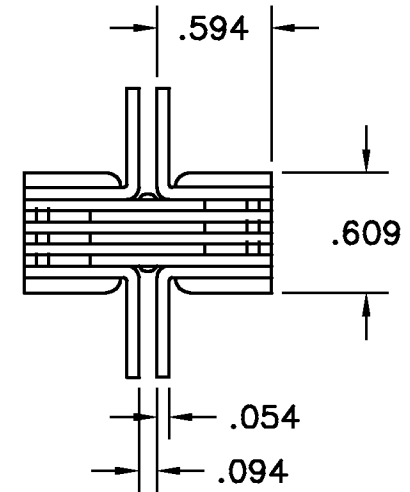


TOLERANCES UNLESS OTHERWISE SPECIFIED:

PLACES	INCH	NOTE:
.XX	± .030	ACCEPTABLE BURR ± 10% OF MATERIAL THICKNESS ALL TOLERANCES ARE NON-CUMULATIVE ALL DIMENSIONS APPLY TO PART BEFORE ANY FINISH IS APPLIED
.XXX	± .015	
.XXXX	± .005	
ANGLE	3°	



.2000 DIA HOLE CTSK 82°
TO .250 ± .010, (4) PLACES



NOTES:
1. FINISH: 30- BARREL BRASS & BRITE BURNISH

DWG		SCALE	1:1	CODE IDENT. #
314-04		DATE	02/21/02	03007
MATERIAL	FINISH			
PS	SEE NOTE			
DR. BY RAG	CK. BY CD	99 RAYNOR AVE. RONKONKOMA, N.Y. 11779 1-800-3-HINGES		
FAX: 1-631-737-2933				
EMAIL: info@guden.com				
WEB: www.guden.com				

LTR	DESCRIPTION	DATE	APPD
B	CHANGED CTSK	07/10/06	CD
A	ADDED DIMS	06/05/02	CD
REVISION			