

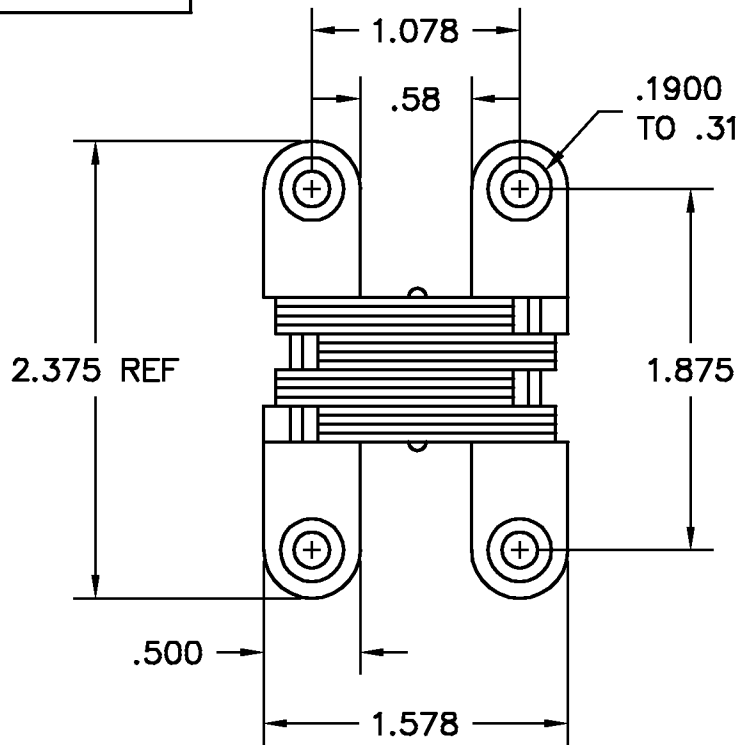
A
SIZE

PROJECTIONS

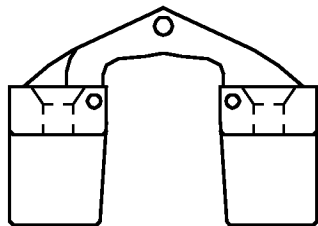
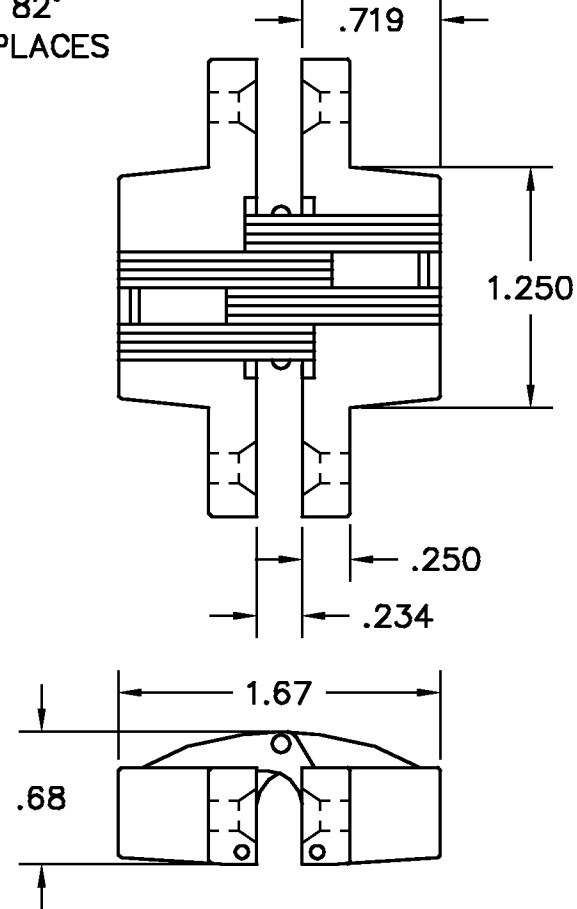


TOLERANCES UNLESS OTHERWISE SPECIFIED:

| PLACES | INCH | NOTE: |
|--------|--------|---|
| .XX | ± .030 | ACCEPTABLE BURR ± 10% OF MATERIAL THICKNESS ALL TOLERANCES ARE NON-CUMULATIVE ALL DIMENSIONS APPLY TO PART BEFORE ANY FINISH IS APPLIED |
| .XXX | ± .015 | |
| .XXXX | ± .005 | |
| ANGLE | 3° | |



.1900 DIA HOLE CTSK 82°
TO .312 ± .010, (4) PLACES



NOTES:

1. FINISH: 46A DULL CHROME (BRUSHED)
2. MATERIAL: LINKS & PINS = PS
BODY = ZINC DIE CAST

DWG

205-26D

SCALE

1:1

CODE IDENT. #

DATE

02/15/02

03007

MATERIAL
SEE NOTE

FINISH
SEE NOTE

DR. BY RAG

CK. BY CD

GUDEN
DELIVERING HARDWARE EXCELLENCE

| A | ADDED DIMS | 05/10/02 | CD |
|----------|-------------|----------|------|
| LTR | DESCRIPTION | DATE | APPD |
| REVISION | | | |

FAX: 1-631-737-2933
EMAIL: info@guden.com
WEB: www.guden.com

99 RAYNOR AVE.
RONKONKOMA, N.Y. 11779
1-800-3-HINGES