

A  
SIZE

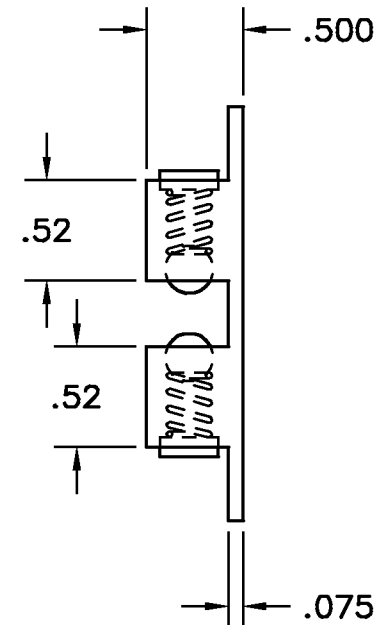
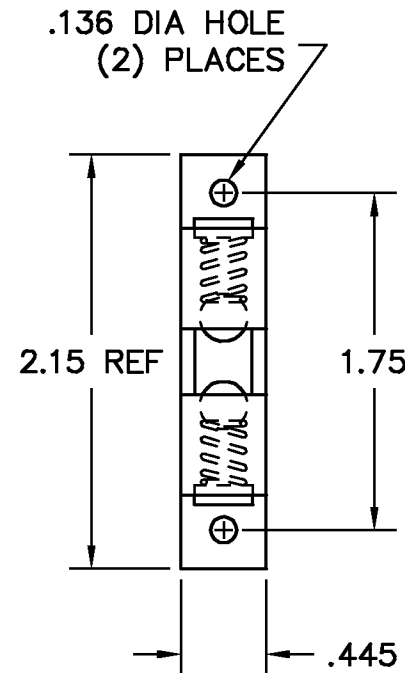
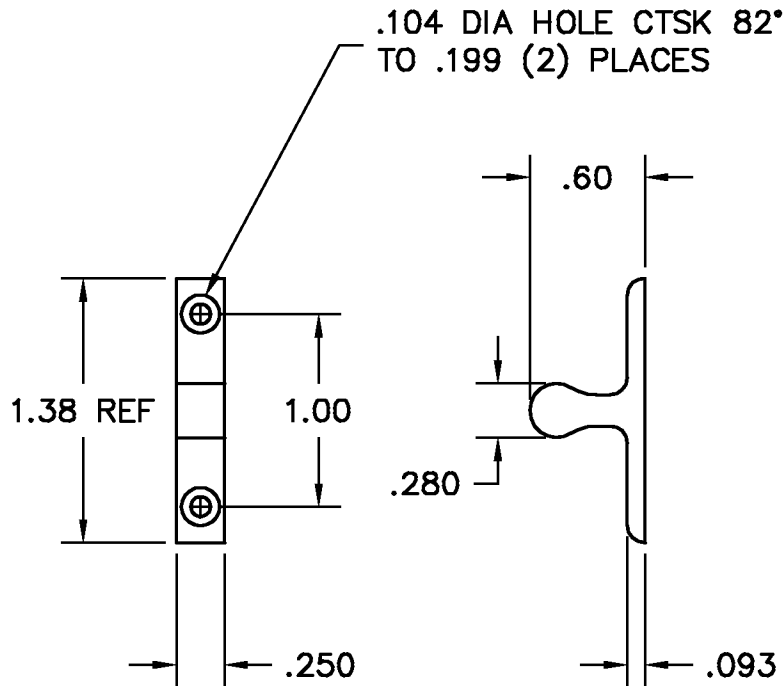
PROJECTIONS



TOLERANCES UNLESS OTHERWISE SPECIFIED:

PLACES	INCH
.XX	± .030
.XXX	± .015
.XXXX	± .005
ANGLE	3°


NOTE:  
ACCEPTABLE BURR ± 10% OF MATERIAL THICKNESS  
ALL TOLERANCES ARE NON-CUMULATIVE  
ALL DIMENSIONS APPLY TO PART BEFORE ANY FINISH IS APPLIED



NOTES:

1. FINISH: 31- BARREL BRASS, BRITE BURN & LAC
2. MATERIAL: BODY, STRIKE, AND  
 ADJUSTER SCREW = BRASS  
 SPRING = STS  
 BALL = GRADE 1000  
 NAVAL BRONZE

LTR	DESCRIPTION	DATE	APPD
D	VARIOUS CHANGES	07/24/01	CD
C	CHANGED SPRING	04/18/01	CD
B	CHANGED SPRING	05/02/00	CD
A	CHANGED SPRING	02/14/00	CD
REVISION			

DWG		SCALE	1:1	CODE IDENT. #
2-04		DATE	11/06/97	03007
MATERIAL	FINISH			
SEE NOTE	SEE NOTE			
DR. BY RAG	CK. BY CD	99 RAYNOR AVE. RONKONKOMA, N.Y. 11779 1-800-3-HINGES		
FAX: 1-631-737-2933 EMAIL: info@guden.com WEB: www.guden.com				