

A
SIZE

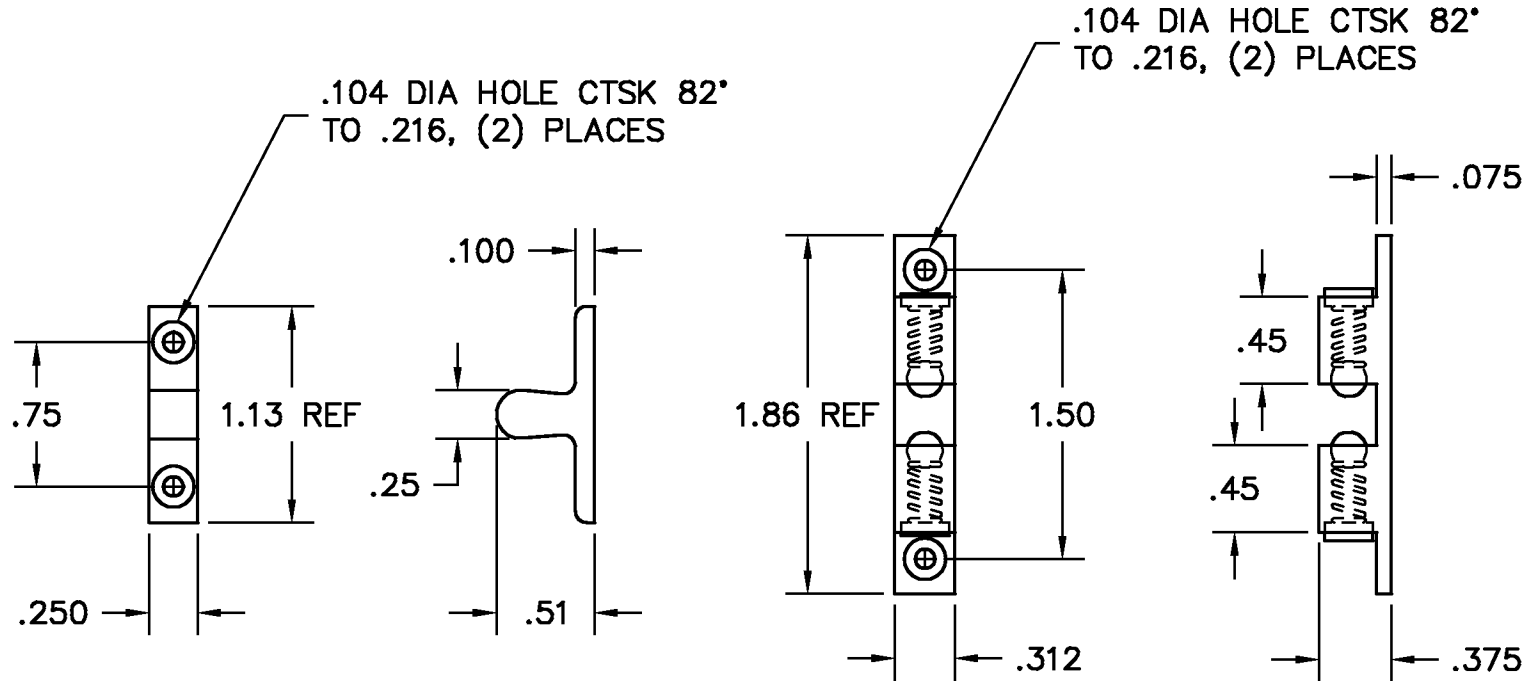
PROJECTIONS



TOLERANCES UNLESS OTHERWISE SPECIFIED:

PLACES	INCH
.XX	± .030
.XXX	± .015
.XXXX	± .005
ANGLE	3°

NOTE:
ACCEPTABLE BURR ± 10% OF MATERIAL THICKNESS
ALL TOLERANCES ARE NON-CUMULATIVE
ALL DIMENSIONS APPLY TO PART BEFORE ANY FINISH IS APPLIED



NOTES:

1. FINISH: 04- DULL FINISH AND LACQUERED
2. MATERIAL: BODY, STRIKE, AND
ADJUSTER SCREW = BRASS
SPRING = STS
BALL = GRADE 1000
NAVAL BRONZE

LTR	DESCRIPTION	DATE	APPD
E	CHANGED FINISH	04/10/08	CD
D	VARIOUS CHANGES	07/24/01	CD
C	CHANGED SPRING	04/18/01	CD
B	CHANGED SPRING	05/02/00	CD
REVISION			

DWG		SCALE	1:1	CODE IDENT. #
1-04		DATE	04/16/99	03007
MATERIAL	FINISH			
SEE NOTE	SEE NOTE			
DR. BY RAG	CK. BY CD	99 RAYNOR AVE. RONKONKOMA, N.Y. 11779 1-800-3-HINGES		
FAX: 1-631-737-2933 EMAIL: info@guden.com WEB: www.guden.com				