

TITLE: CASTER, 4 x 1 3/8, SWIVEL PLATE
 MATERIAL:
 FINISH: ZINC PLATE

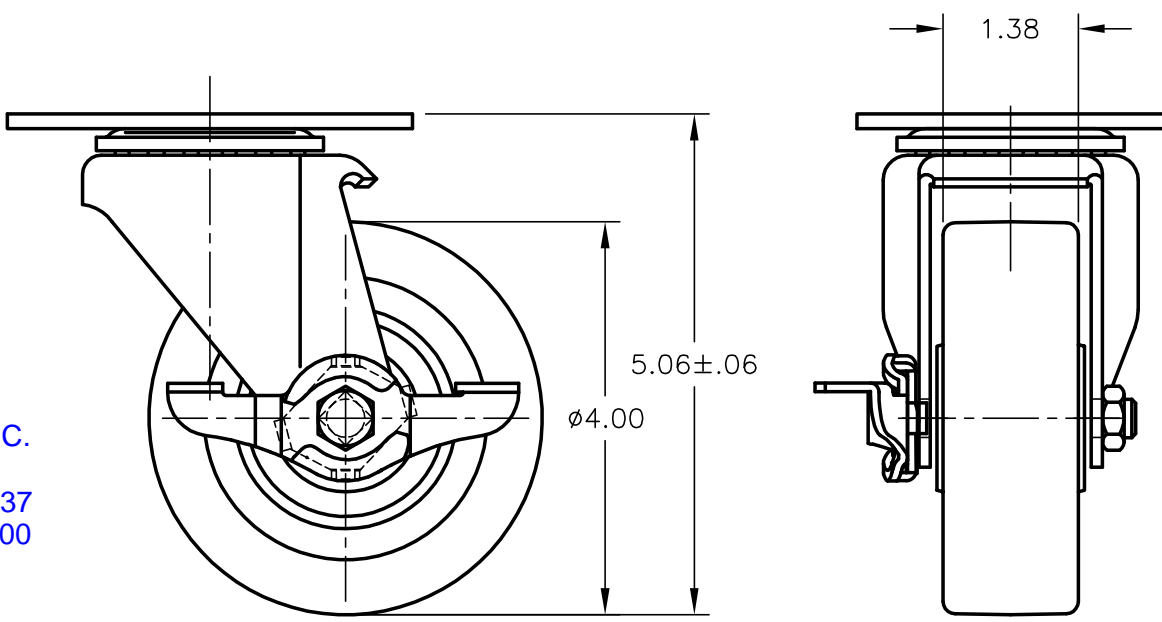
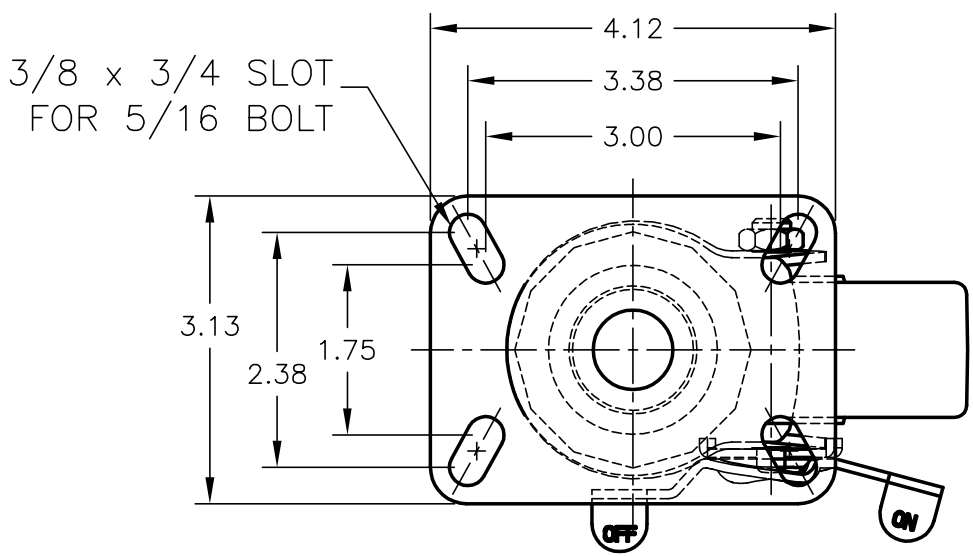
TOLERANCES UNLESS OTHERWISE SPECIFIED			
THIRD ANGLE PROJECTION	2 PLACE DECIMALS	3 PLACE DECIMALS	ANGLE
SCALE: 1:2		FIRST USE:	

DRAWN: JA
 DATE: 10/2/13
 APPROVED:
 DATE:

DWG. No. **1F2804B26002197**
 (SALES PRINT)
CHANGES

NOTES:

SWIVEL RADIUS = $3\frac{3}{8}$ "
 LOAD CAPACITY = 275 Lbs
 WHEEL = GRAY TPR TREAD
 ON GRAY POLYPROPYLENE HUB
 WITH DELRIN BEARING



Distributed by **H. A. GUDEN CO., INC.**
 Industrial Hardware Made Easy
guden.com/casters 800-344-6437
info@guden.com 631-737-2900

CUSTOMER DRAWINGS ARE THE PROPERTY OF
 E.R. WAGNER MFG. CO. CASTERS & WHEELS DIV.
 AND ARE FOR REFERENCE ONLY. DRAWINGS ARE SUBJECT
 TO CHANGE WITHOUT NOTIFICATION. ELECTRONIC FILES ARE
 NOT TO BE USED FOR DIMENSIONAL ACCURACY, OR TO BE
 MODIFIED, OR COPIED.