

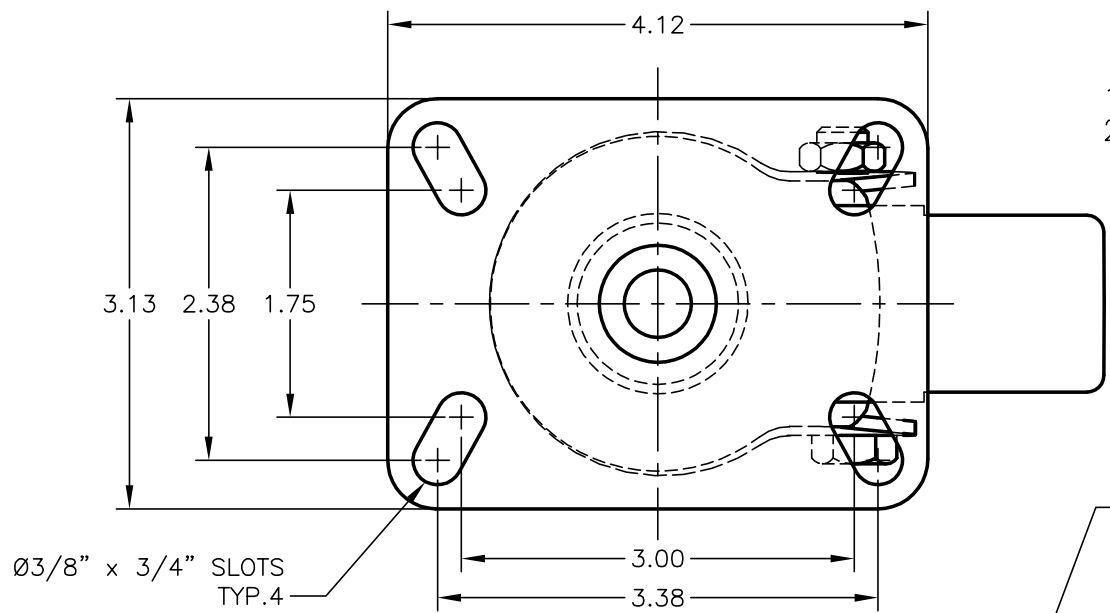
E.R. Wagner
 CASTERS & WHEELS Manufacturing Co.
 331 Riverview Drive
 P.O. Box 405
 Hustisford, WI 53034-0405

TITLE: CASTER, 4 x 1-3/8, PLATE SWIVEL
 MATERIAL:
 FINISH: ZINC PLATE

TOLERANCES UNLESS OTHERWISE SPECIFIED			
THIRD ANGLE PROJECTION	2 PLACE DECIMALS	3 PLACE DECIMALS	ANGLE
SCALE: 1:1.5		FIRST USE:	

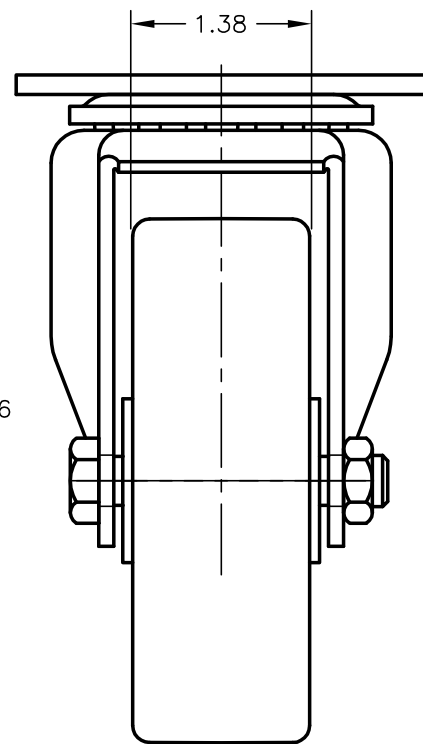
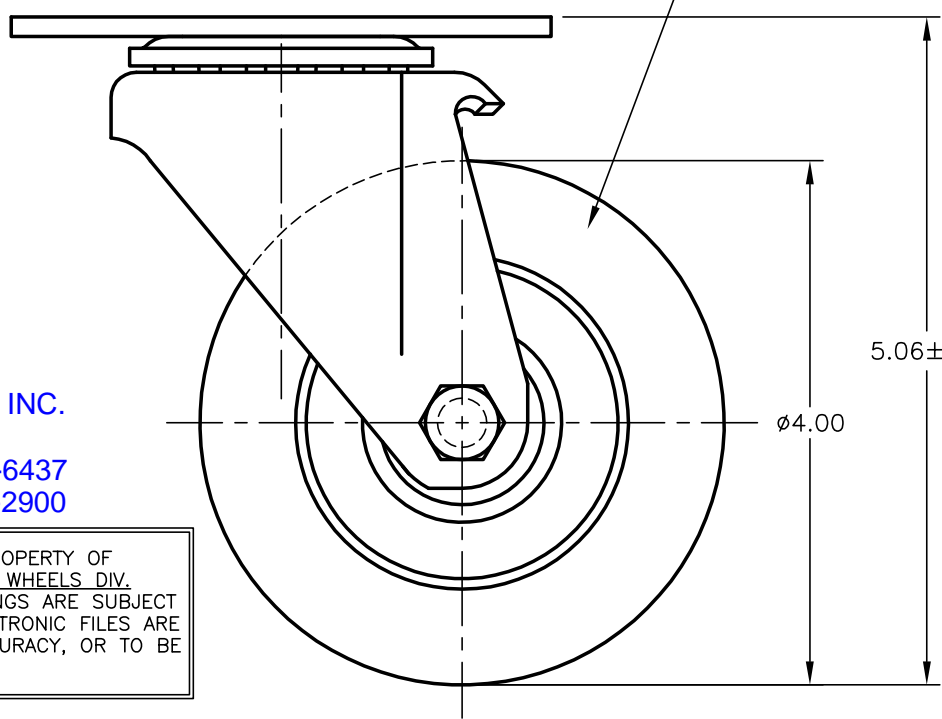
DRAWN: JA
 DATE: 10/2/13
 APPROVED:
 DATE:

DWG. No. **1F2804B26000197**
 (SALES PRINT)
CHANGES



- NOTES:**
- 1) SWIVEL RADIUS: 3 3/8"
 - 2) LOAD CAPACITY: 275 LBS.

TPR RUBBER WHEEL
 WITH DELRIN BEARING



Distributed by **H. A. GUDEN CO., INC.**
 Industrial Hardware Made Easy
guden.com/casters 800-344-6437
info@guden.com 631-737-2900

CUSTOMER DRAWINGS ARE THE PROPERTY OF
 E.R. WAGNER MFG. CO. CASTERS & WHEELS DIV.
 AND ARE FOR REFERENCE ONLY. DRAWINGS ARE SUBJECT
 TO CHANGE WITHOUT NOTIFICATION. ELECTRONIC FILES ARE
 NOT TO BE USED FOR DIMENSIONAL ACCURACY, OR TO BE
 MODIFIED, OR COPIED.