

A
SIZE

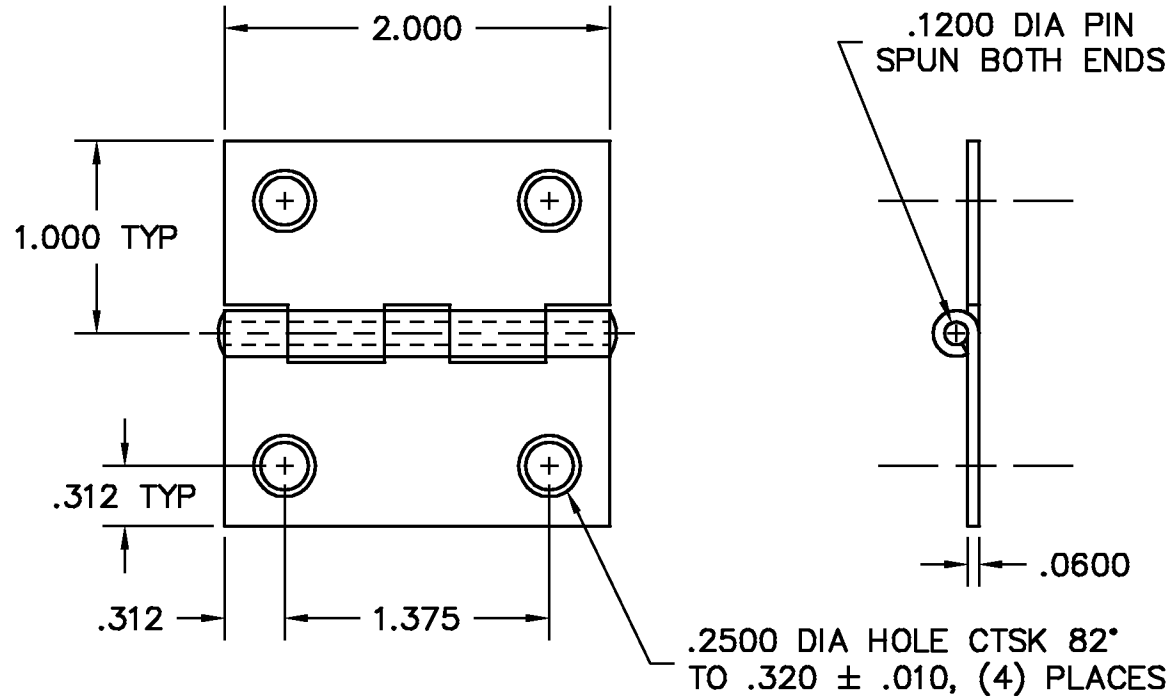
PROJECTIONS



TOLERANCES UNLESS OTHERWISE SPECIFIED:

PLACES	INCH
.XX	± .030
.XXX	± .015
.XXXX	± .005
ANGLE	3°


NOTE:
ACCEPTABLE BURR ± 10% OF MATERIAL THICKNESS
ALL TOLERANCES ARE NON-CUMULATIVE
ALL DIMENSIONS APPLY TO PART BEFORE ANY
FINISH IS APPLIED



NOTES:

1. FINISH: 00- NO FINISH

LTR	DESCRIPTION	DATE	APPD
D	REDRAWN	12/22/98	CD
C	CHANGED HOLE DIA	01/24/94	CD
B	REDRAWN	11/06/92	AG
A	REDRAWN	03/19/86	AG
REVISION			

DWG 8000200612		SCALE 1:1	CODE IDENT. # 03007
MATERIAL STS		FINISH SEE NOTE	
DR. BY RAG		CK. BY CD	
FAX: 1-631-737-2933 EMAIL: info@guden.com WEB: www.guden.com		 DELIVERING HARDWARE EXCELLENCE 99 RAYNOR AVE. RONKONKOMA, N.Y. 11779 1-800-3-HINGES	