

A
SIZE

PROJECTIONS

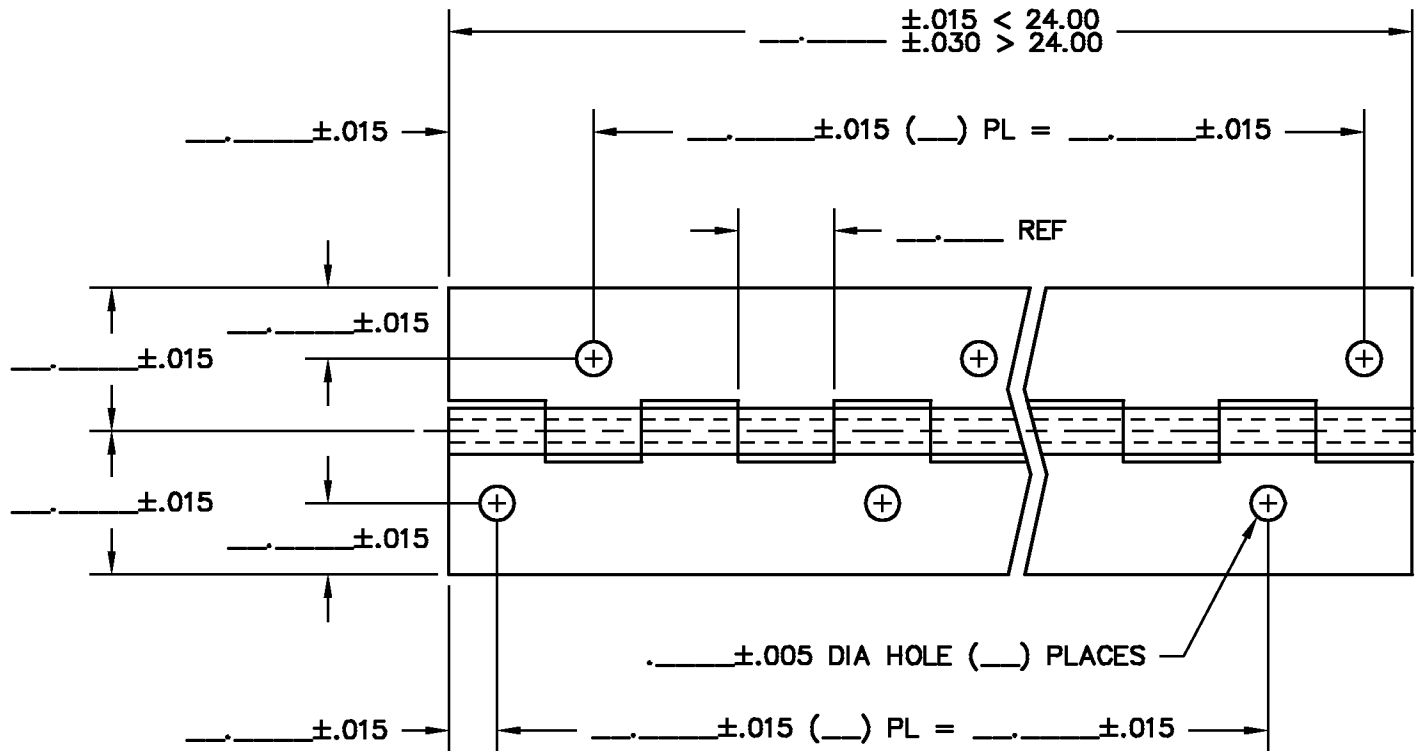


TOLERANCES APPLY TO HINGES FROM .025 TO .062 THICK.
FOR HEAVIER HINGES PLEASE CONTACT GUDEN. IF YOU
REQUIRE TIGHTER TOLERANCES, PLEASE NOTE ON THE DRAWING
AND WE WILL EVALUATE THOSE REQUIREMENTS.

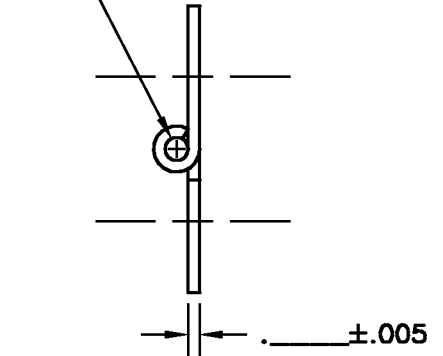
TOLERANCES UNLESS OTHERWISE SPECIFIED:

PLACES	INCH
.XX	± .030
.XXX	± .015
.XXXX	± .005
ANGLE	± 3°

NOTE:
ACCEPTABLE BURR ± 10% OF MATERIAL THICKNESS
ALL TOLERANCES ARE NON-CUMULATIVE
ALL DIMENSIONS APPLY TO PART BEFORE ANY
FINISH IS APPLIED



- ±.005 DIA PIN
- STAKED IN PLACE
- SPUN BOTH ENDS
- SPUN ONE END
- OTHER: _____



- ASSEMBLE STD REVERSE
- SWAGED N Y, LIST TYPE:

- NOTES:
1. FINISH:

2.

3.

FORM G079

DWG		SCALE	N/A	CODE IDENT. #
		DATE	10/18/01	03007
MATERIAL	FINISH SEE NOTE			
DR. BY	CK. BY			
FAX: 1-631-737-2933		<p style="text-align: center;">Guden</p> <p>99 RAYNOR AVE. RONKONKOMA, N.Y. 11779 1-800-3-HINGES</p>		
EMAIL: info@guden.com				
WEB: www.guden.com				

LTR	DESCRIPTION	DATE	APPD
	REVISION		