

A
SIZE

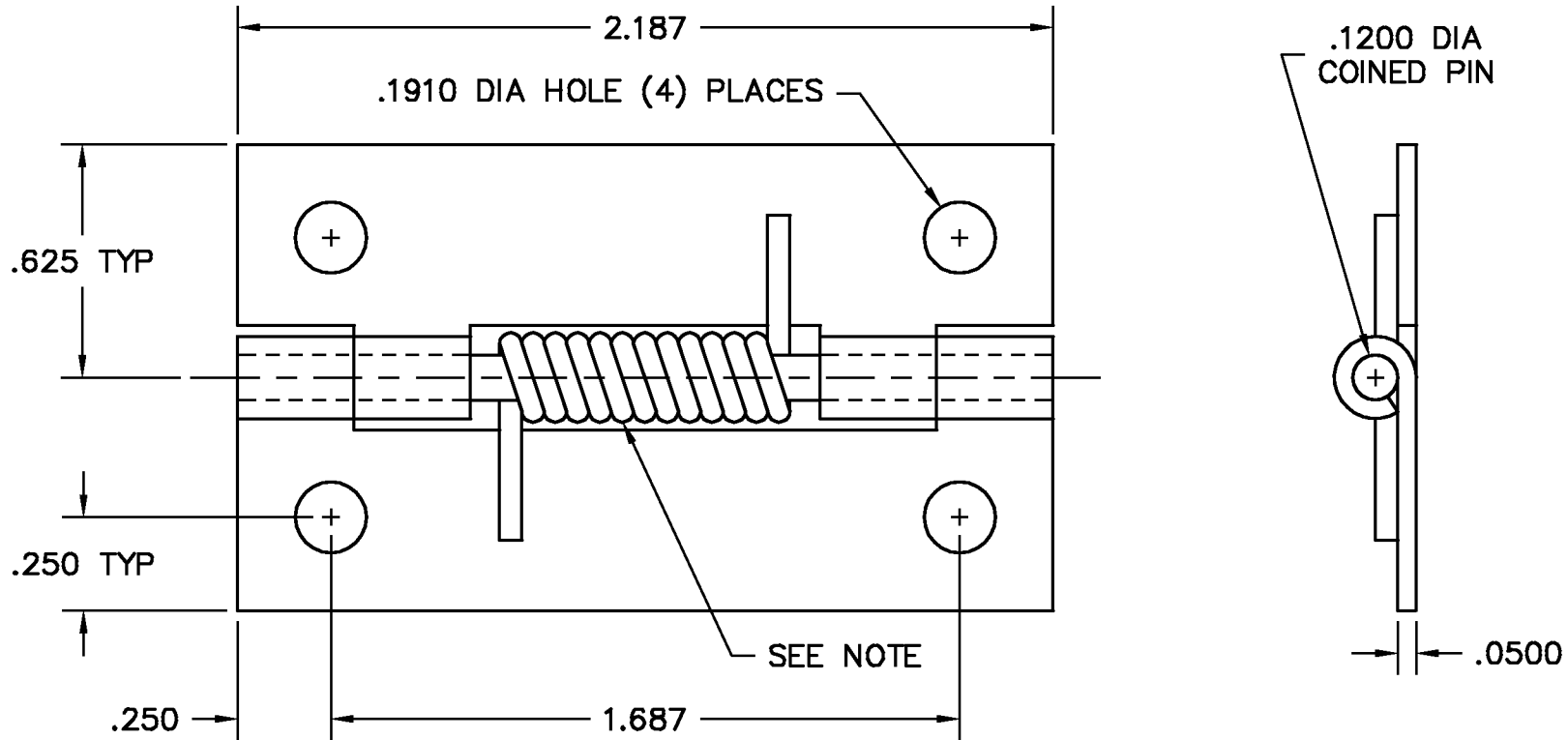
PROJECTIONS



TOLERANCES UNLESS OTHERWISE SPECIFIED:

PLACES	INCH
.XX	± .030
.XXX	± .015
.XXXX	± .005
ANGLE	3°

NOTE:
ACCEPTABLE BURR ± 10% OF MATERIAL THICKNESS
ALL TOLERANCES ARE NON-CUMULATIVE
ALL DIMENSIONS APPLY TO PART BEFORE ANY FINISH IS APPLIED



NOTES:

1. FINISH: 00- NO FINISH
2. KNUCKLES: .31 TYP
3. SPRING: LOADED TO OPEN, .058 WIRE DIA., .43 LEGS, 14 COILS

DWG

STS1117

SCALE

2:1

CODE IDENT. #

DATE

06/16/04

03007

MATERIAL

STS

FINISH

SEE NOTE

DR. BY RAG

CK. BY CD

GUDEN
DELIVERING HARDWARE EXCELLENCE

LTR

DESCRIPTION

DATE

APPD

REVISION

FAX: 1-631-737-2933
EMAIL: info@guden.com
WEB: www.guden.com

99 RAYNOR AVE.
RONKONKOMA, N.Y. 11779
1-800-3-HINGES