

A  
SIZE

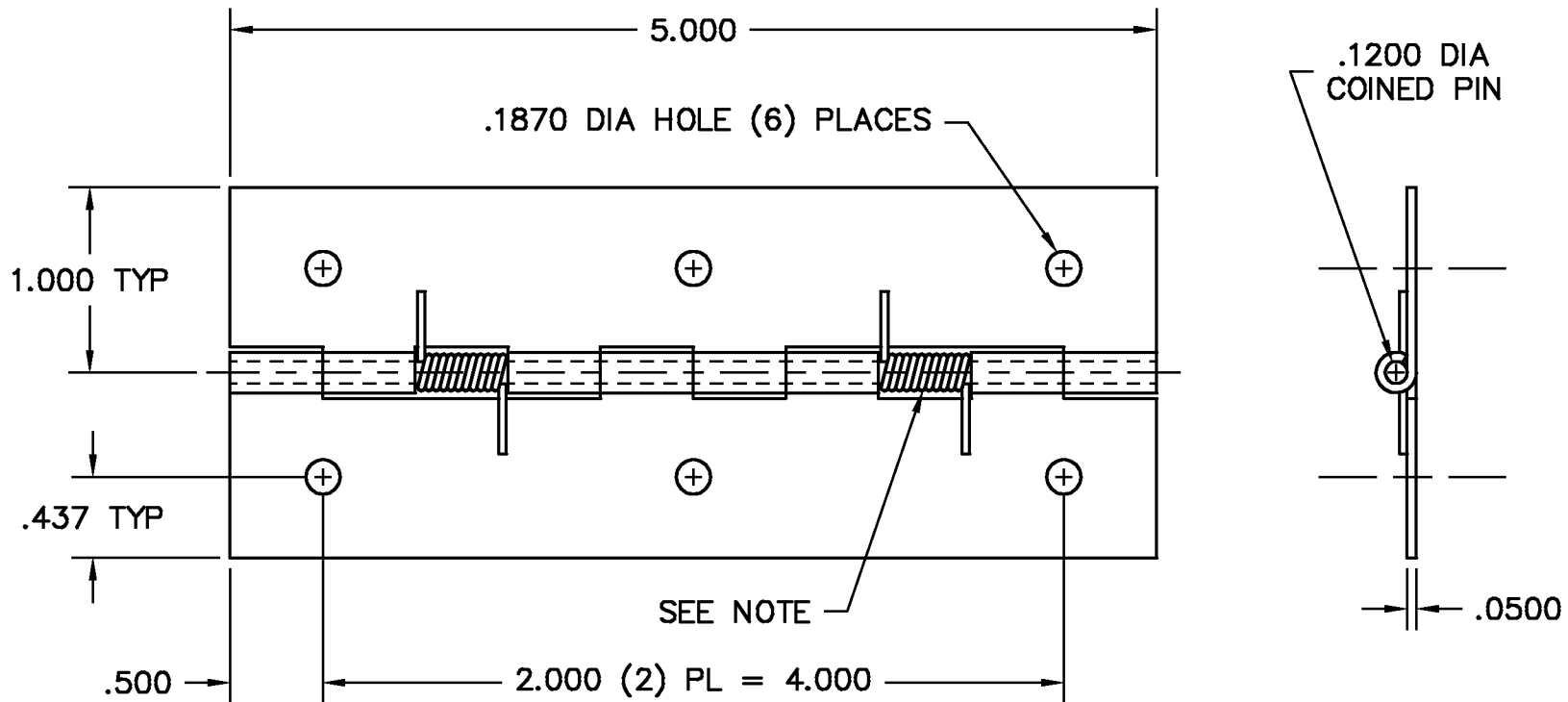
PROJECTIONS



TOLERANCES UNLESS OTHERWISE SPECIFIED:

PLACES	INCH
.XX	± .030
.XXX	± .015
.XXXX	± .005
ANGLE	3°

NOTE:  
ACCEPTABLE BURR ± 10% OF MATERIAL THICKNESS  
ALL TOLERANCES ARE NON-CUMULATIVE  
ALL DIMENSIONS APPLY TO PART BEFORE ANY FINISH IS APPLIED



NOTES:

1. FINISH: 90- BARREL ZINC & CLEAR CHROMATE
2. SPRING: SPR-004 LOADED TO OPEN, (2) PLACES
3. KNUCKLES: .50 TYP

DWG  
PS1122-02

MATERIAL PS FINISH SEE NOTE

DR. BY RAG CK. BY CD

SCALE	1:1	CODE IDENT. #
DATE	05/09/01	03007



LTR	DESCRIPTION	DATE	APPD
	REVISION		

FAX: 1-631-737-2933  
EMAIL: info@guden.com  
WEB: www.guden.com

99 RAYNOR AVE.  
RONKONKOMA, N.Y. 11779  
1-800-3-HINGES