

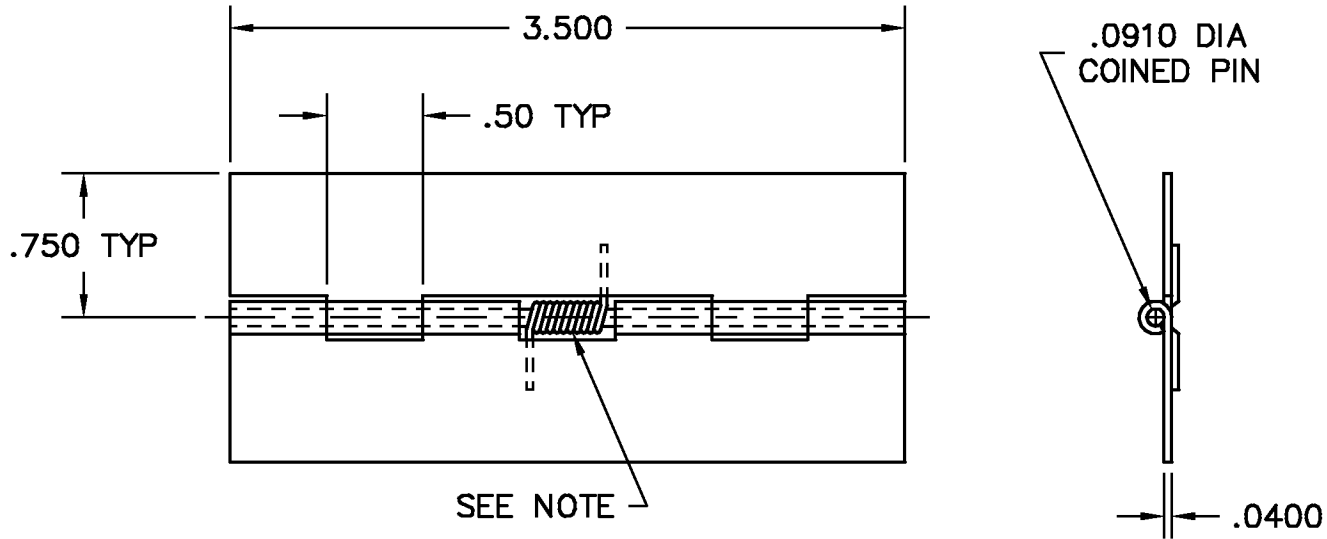
A  
SIZE

PROJECTIONS




TOLERANCES UNLESS OTHERWISE SPECIFIED:

PLACES	INCH	NOTE:
.XX	± .030	ACCEPTABLE BURR ± 10% OF MATERIAL THICKNESS ALL TOLERANCES ARE NON-CUMULATIVE ALL DIMENSIONS APPLY TO PART BEFORE ANY FINISH IS APPLIED
.XXX	± .015	
.XXXX	± .005	
ANGLE	3°	



- NOTES:  
 1. FINISH: 00- NO FINISH  
 2. SPRING: SPR-003 LOADED TO CLOSE, (1) PLACE

DWG NHSTS1121		SCALE 1:1	CODE IDENT. # 03007
MATERIAL STS		FINISH SEE NOTE	
DR. BY RAG		CK. BY CD	
FAX: 1-631-737-2933 EMAIL: info@guden.com WEB: www.guden.com		 99 RAYNOR AVE. RONKONKOMA, N.Y. 11779 1-800-3-HINGES	
LTR			
DESCRIPTION		REVISION	
DATE	APPD		