

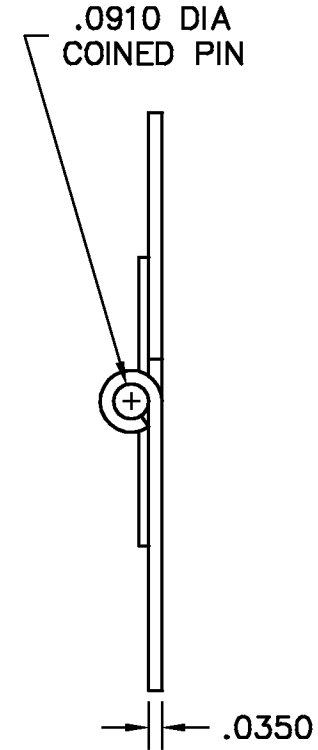
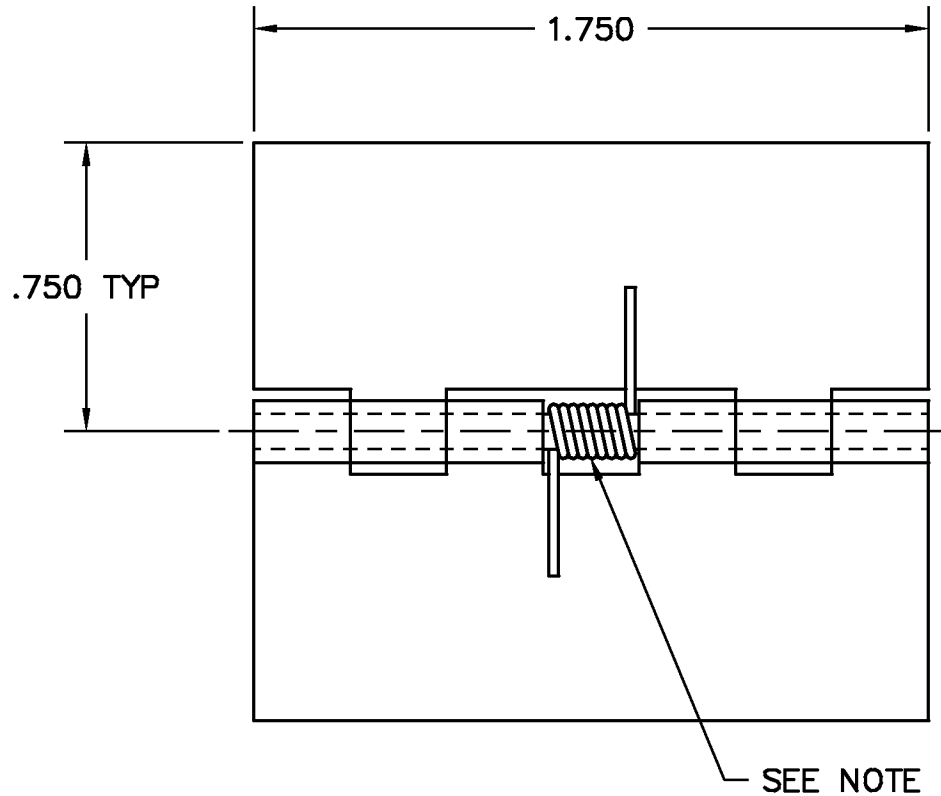
A
SIZE

PROJECTIONS



TOLERANCES UNLESS OTHERWISE SPECIFIED:

PLACES	INCH	NOTE:
.XX	± .030	ACCEPTABLE BURR ± 10% OF MATERIAL THICKNESS ALL TOLERANCES ARE NON-CUMULATIVE ALL DIMENSIONS APPLY TO PART BEFORE ANY FINISH IS APPLIED
.XXX	± .015	
.XXXX	± .005	
ANGLE	± 3°	



- NOTES:
1. FINISH: 00- NO FINISH
 2. SPRING: SPR-005 LOADED TO OPEN, (1) PLACE
 3. KNUCKLES: .25 TYP.

DWG		SCALE	2:1	CODE IDENT. #
NHSTS1116		DATE	07/21/94	03007
MATERIAL	FINISH			
STS	SEE NOTE			
DR. BY TEXT	CK. BY CD	99 RAYNOR AVE. RONKONKOMA, N.Y. 11779 1-800-3-HINGES		
FAX: 1-631-737-2933 EMAIL: info@guden.com WEB: www.guden.com				

A	REVISION	DATE	APPD
	REDRAWN	04/27/99	CD
LTR	DESCRIPTION	DATE	APPD
	REVISION		