

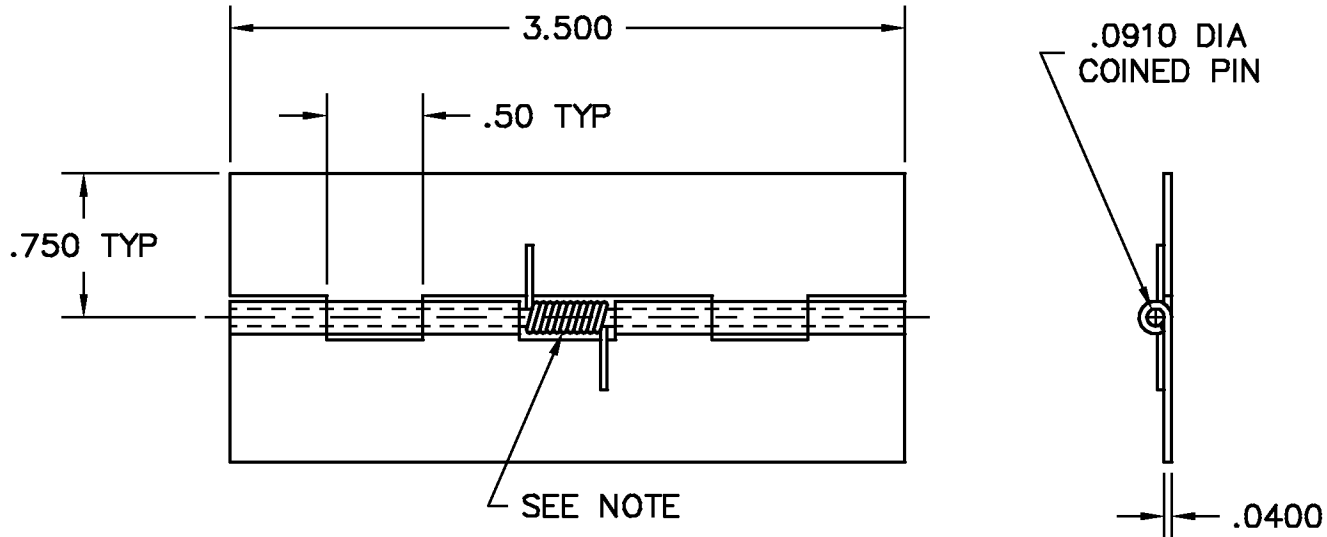
A
SIZE

PROJECTIONS



TOLERANCES UNLESS OTHERWISE SPECIFIED:

| PLACES | INCH | NOTE: |
|--------|--------|---|
| .XX | ± .030 | ACCEPTABLE BURR ± 10% OF MATERIAL THICKNESS ALL TOLERANCES ARE NON-CUMULATIVE ALL DIMENSIONS APPLY TO PART BEFORE ANY FINISH IS APPLIED |
| .XXX | ± .015 | |
| .XXXX | ± .005 | |
| ANGLE | 3° | |



NOTES:

1. FINISH: 00- NO FINISH
2. SPRING: SPR-002 LOADED TO OPEN, (1) PLACE

| | | | | |
|-----------------------|-----------|--|----------|---------------|
| DWG | | SCALE | 1:1 | CODE IDENT. # |
| NHPS1120 | | DATE | 05/09/01 | 03007 |
| MATERIAL | FINISH | | | |
| PS | SEE NOTE | | | |
| DR. BY RAG | CK. BY CD | 99 RAYNOR AVE. RONKONKOMA, N.Y. 11779 1-800-3-HINGES | | |
| FAX: 1-631-737-2933 | | | | |
| EMAIL: info@guden.com | | | | |
| WEB: www.guden.com | | | | |

| LTR | DESCRIPTION | DATE | APPD |
|-----|-------------|------|------|
| | REVISION | | |