

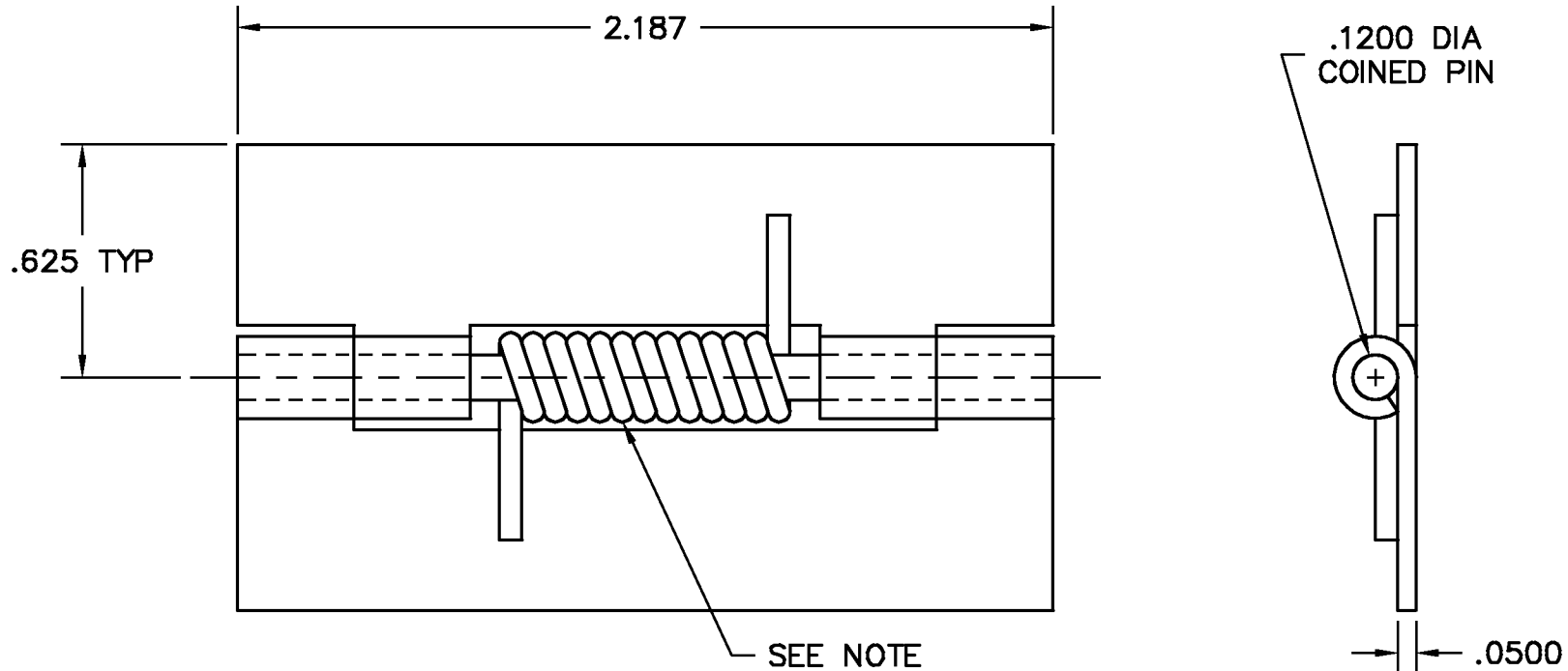
A
SIZE

PROJECTIONS



TOLERANCES UNLESS OTHERWISE SPECIFIED:

PLACES	INCH	NOTE:
.XX	± .030	ACCEPTABLE BURR ± 10% OF MATERIAL THICKNESS ALL TOLERANCES ARE NON-CUMULATIVE ALL DIMENSIONS APPLY TO PART BEFORE ANY FINISH IS APPLIED
.XXX	± .015	
.XXXX	± .005	
ANGLE	3°	



NOTES:

1. FINISH: 00- NO FINISH
2. MATERIAL: LEAVES = PS
PIN & SPRING = STS
3. KNUCKLES: .31 TYP
4. SPRING: LOADED TO OPEN, .058 WIRE DIA.,
.43 LEGS, 14 COILS

DWG		SCALE	2:1	CODE IDENT. #
NHPS1117		DATE	06/16/04	03007
MATERIAL	FINISH	GUDEN DELIVERING HARDWARE EXCELLENCE		
SEE NOTE	SEE NOTE			
DR. BY RAG	CK. BY CD	99 RAYNOR AVE. RONKONKOMA, N.Y. 11779 1-800-3-HINGES		
FAX: 1-631-737-2933				
EMAIL: info@guden.com				
WEB: www.guden.com				

LTR	DESCRIPTION	DATE	APPD
	REVISION		