

A
SIZE

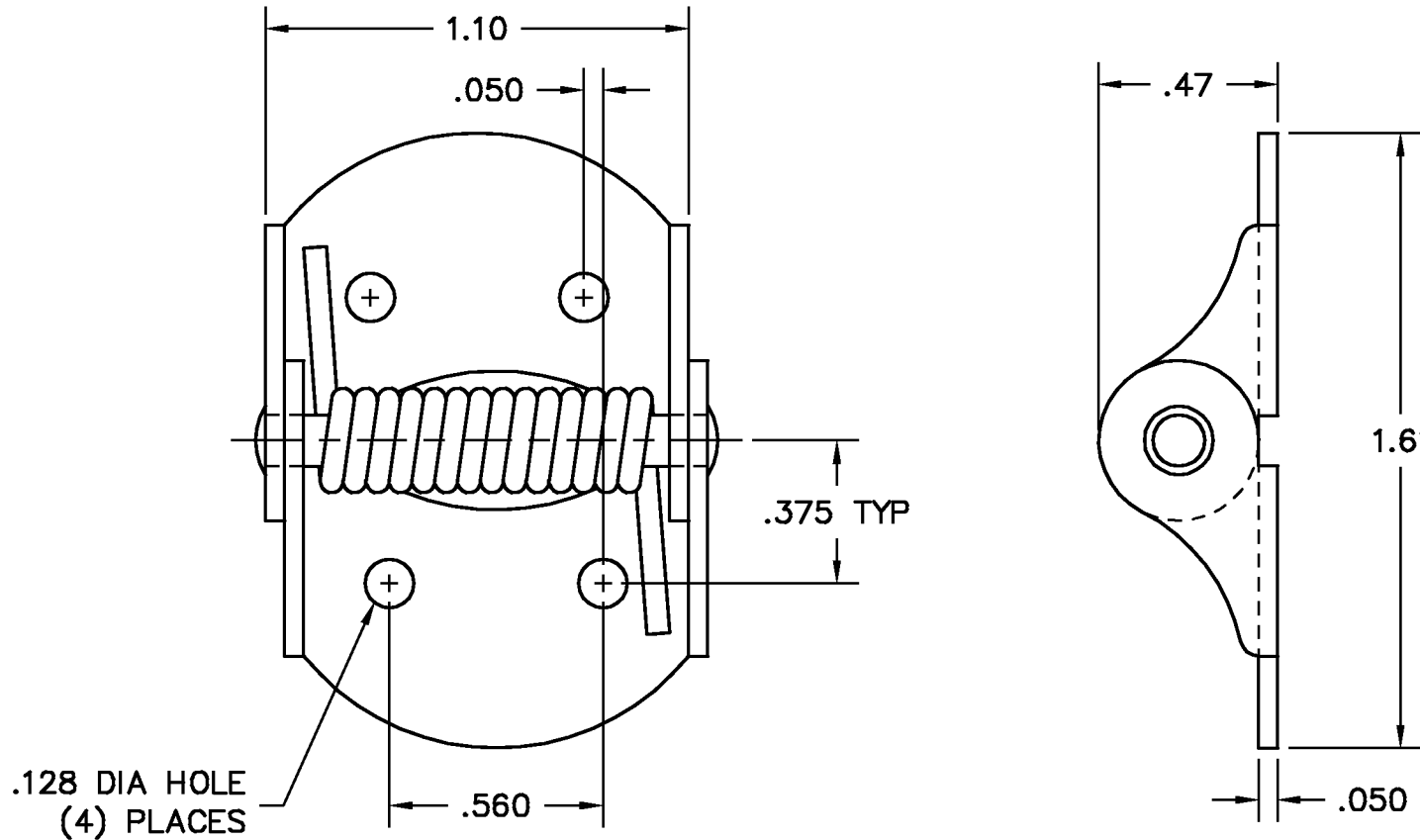
PROJECTIONS



TOLERANCES UNLESS OTHERWISE SPECIFIED:

| PLACES | INCH |
|--------|--------|
| .XX | ± .030 |
| .XXX | ± .015 |
| .XXXX | ± .005 |
| ANGLE | 3° |

NOTE:
ACCEPTABLE BURR ± 10% OF MATERIAL THICKNESS
ALL TOLERANCES ARE NON-CUMULATIVE
ALL DIMENSIONS APPLY TO PART BEFORE ANY FINISH IS APPLIED



NOTES:
1. FINISH: 75- BARREL NICKEL

| | | | | |
|-----------------------|-----------|--|----------|---------------|
| DWG | | SCALE | 2:1 | CODE IDENT. # |
| 343-1-14 | | DATE | 04/29/99 | 03007 |
| MATERIAL | FINISH | | | |
| PS | SEE NOTE | | | |
| DR. BY RAG | CK. BY CD | 99 RAYNOR AVE. RONKONKOMA, N.Y. 11779 1-800-3-HINGES | | |
| FAX: 1-631-737-2933 | | | | |
| EMAIL: info@guden.com | | | | |
| WEB: www.guden.com | | | | |

| A | DESCRIPTION | DATE | APPD |
|-----|----------------|----------|------|
| | MOVED TOP LEAF | 12/29/05 | CD |
| LTR | REVISION | | |