

A
SIZE

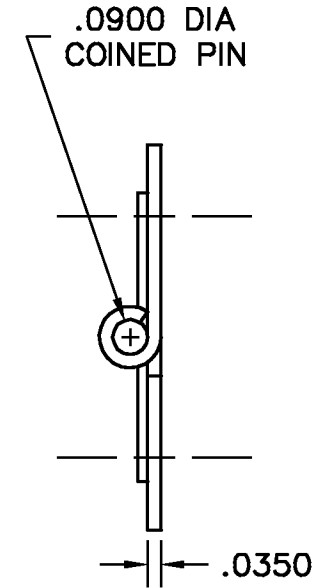
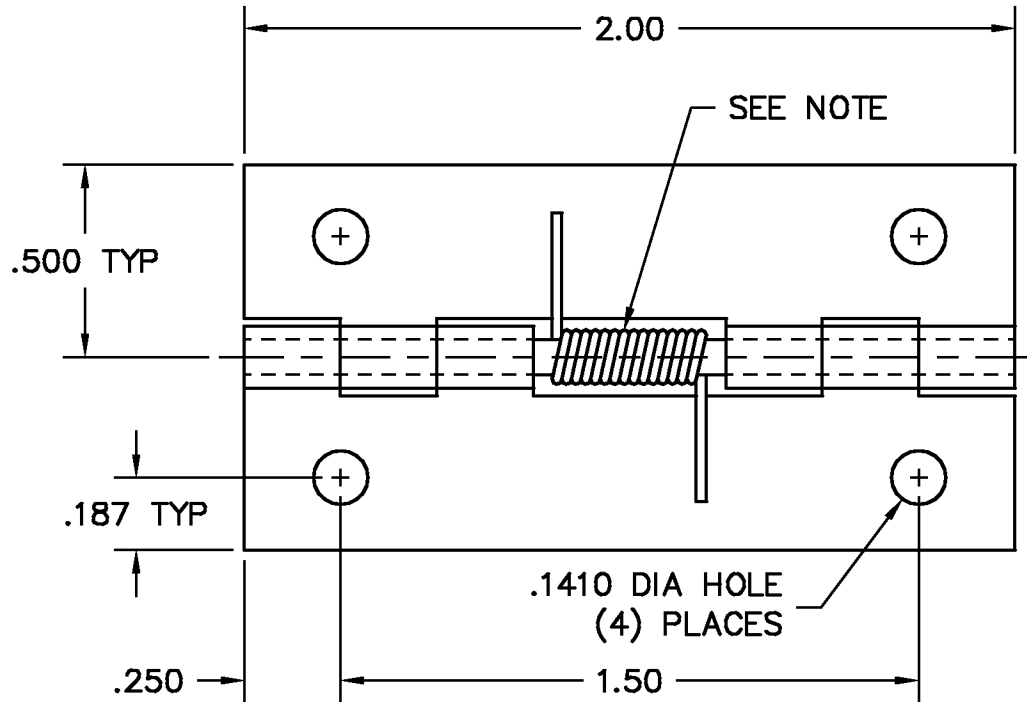
PROJECTIONS



TOLERANCES UNLESS OTHERWISE SPECIFIED:

PLACES	INCH
.XX	± .030
.XXX	± .015
.XXXX	± .005
ANGLE	3°

NOTE:
ACCEPTABLE BURR ± 10% OF MATERIAL THICKNESS
ALL TOLERANCES ARE NON-CUMULATIVE
ALL DIMENSIONS APPLY TO PART BEFORE ANY FINISH IS APPLIED



NOTES:

1. FINISH: 27- VAPOR DEGREASE
2. SPRING: SPR-001 LOADED TO OPEN, (1) PLACE

DWG
STS1643025

SCALE	2:1	CODE IDENT. #
DATE	04/28/99	03007

MATERIAL	FINISH
STS	SEE NOTE
DR. BY RAG	CK. BY CD

GUDEN
DELIVERING HARDWARE EXCELLENCE

B	DESCRIPTION	DATE	APPD
B	CORRECTED SPRING	07/17/02	CD
A	REDRAWN	04/28/99	CD
LTR	REVISION		

FAX: 1-631-737-2933
EMAIL: info@guden.com
WEB: www.guden.com

99 RAYNOR AVE.
RONKONKOMA, N.Y. 11779
1-800-3-HINGES