

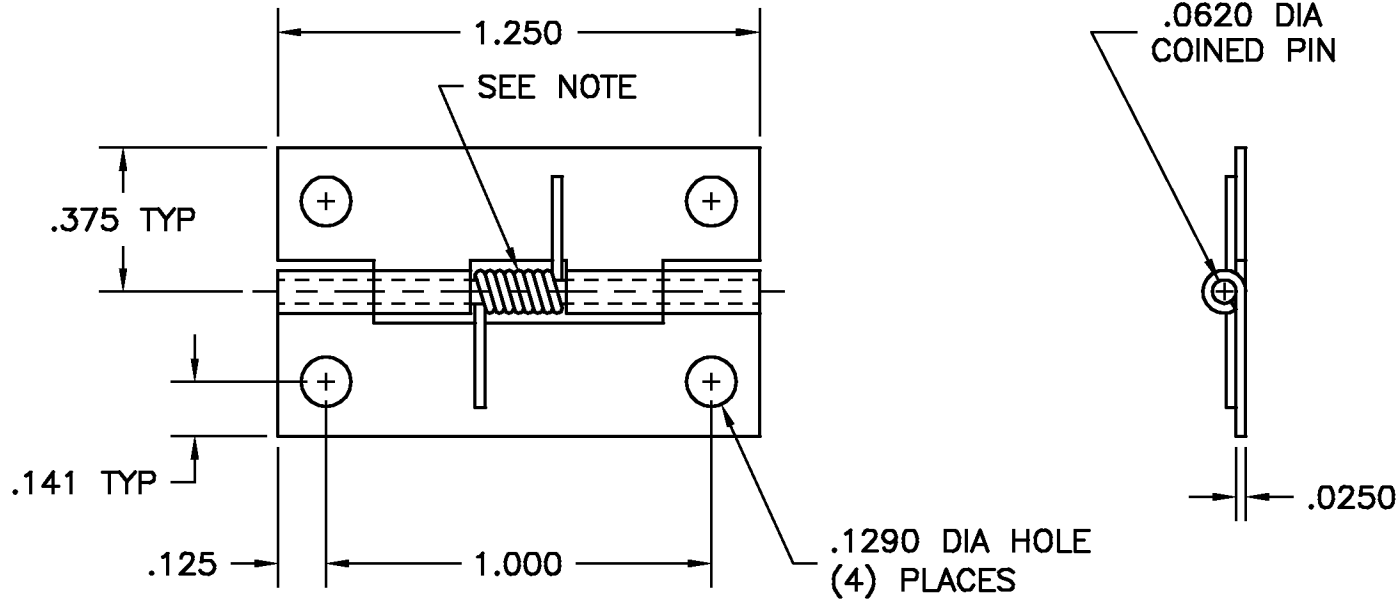
A  
SIZE

PROJECTIONS




TOLERANCES UNLESS OTHERWISE SPECIFIED:

PLACES	INCH	NOTE:
.XX	± .030	ACCEPTABLE BURR ± 10% OF MATERIAL THICKNESS ALL TOLERANCES ARE NON-CUMULATIVE ALL DIMENSIONS APPLY TO PART BEFORE ANY FINISH IS APPLIED
.XXX	± .015	
.XXXX	± .005	
ANGLE	3°	



- NOTES:
1. FINISH: 90- BARREL ZINC & CLEAR CHROMATE
  2. MATERIAL: LEAVES = PS  
PIN & SPRING = STS
  3. KNUCKLES: .25 TYP
  4. SPRING: SPR-006 LOADED TO OPEN, (1) PLACE

DWG 1114-02		SCALE 2:1	CODE IDENT. # 03007
MATERIAL SEE NOTE		DATE 06/16/04	
FINISH SEE NOTE		DR. BY RAG	
DR. BY RAG		CK. BY CD	
FAX: 1-631-737-2933 EMAIL: info@guden.com WEB: www.guden.com			
		99 RAYNOR AVE. RONKONKOMA, N.Y. 11779 1-800-3-HINGES	

LTR	DESCRIPTION	DATE	APPD
	REVISION		