

A  
SIZE

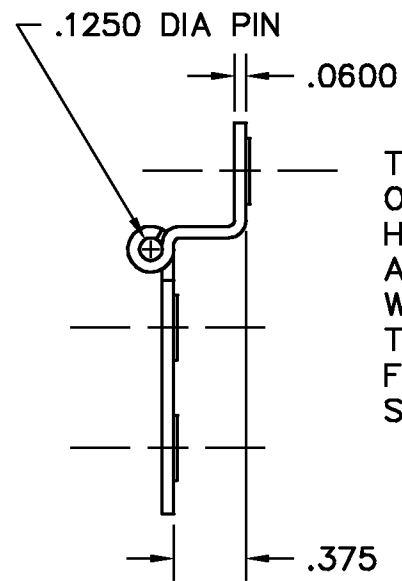
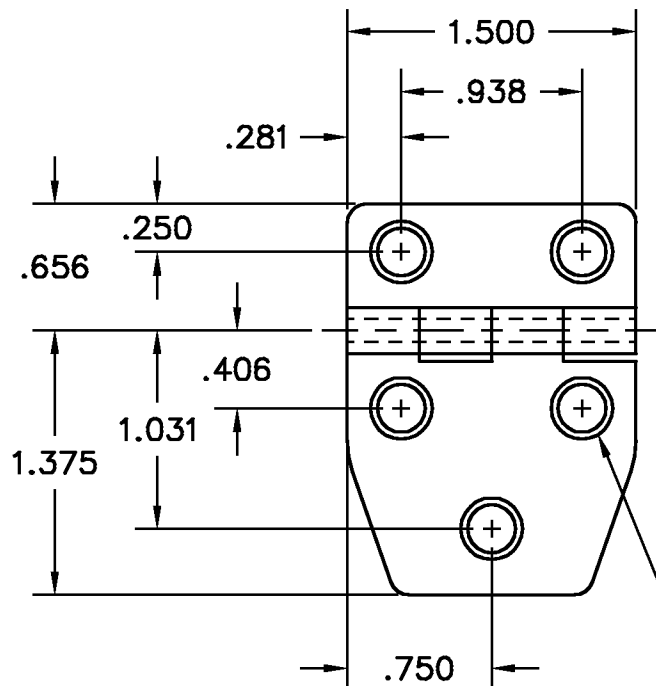
PROJECTIONS



TOLERANCES UNLESS OTHERWISE SPECIFIED:

PLACES	INCH
.XX	± .030
.XXX	± .015
.XXXX	± .005
ANGLE	3°

NOTE:  
ACCEPTABLE BURR ± 10% OF MATERIAL THICKNESS  
ALL TOLERANCES ARE NON-CUMULATIVE  
ALL DIMENSIONS APPLY TO PART BEFORE ANY FINISH IS APPLIED



THE SLIGHTLY RAISED AREA ON THE BACK OF THESE HINGES MAKE THEM ACCEPTABLE FOR USE ON WOOD ONLY. THEY WILL NOT LAY FLAT ON FIBERGLASS OR METAL SURFACES.

.250 DIA HOLE PUNCH CTSK 82° TO .320 ± .010, (5) PLACES

NOTES:

1. FINISH: 21- ELECTRO POLISH
2. ONE LEAF REVERSE SWAGED

DWG		SCALE	1:1	CODE IDENT. #
SP1005		DATE	06/20/01	03007
MATERIAL	FINISH			
STS	SEE NOTE			
DR. BY RAG	CK. BY CD	99 RAYNOR AVE. RONKONKOMA, N.Y. 11779 1-800-3-HINGES		
FAX: 1-631-737-2933 EMAIL: info@guden.com WEB: www.guden.com				
REVISION				

A	DESCRIPTION	DATE	APPD
	ADDED "WOOD ONLY" NOTE	07/24/01	CD
LTR	DESCRIPTION	DATE	APPD
REVISION			