

A
SIZE

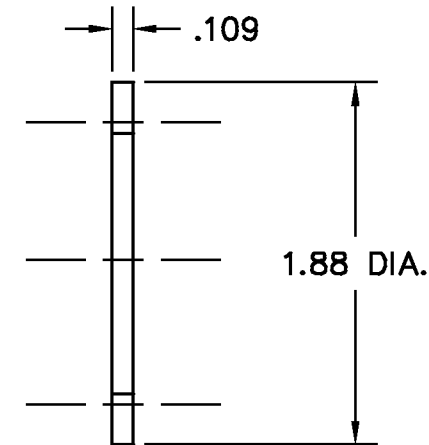
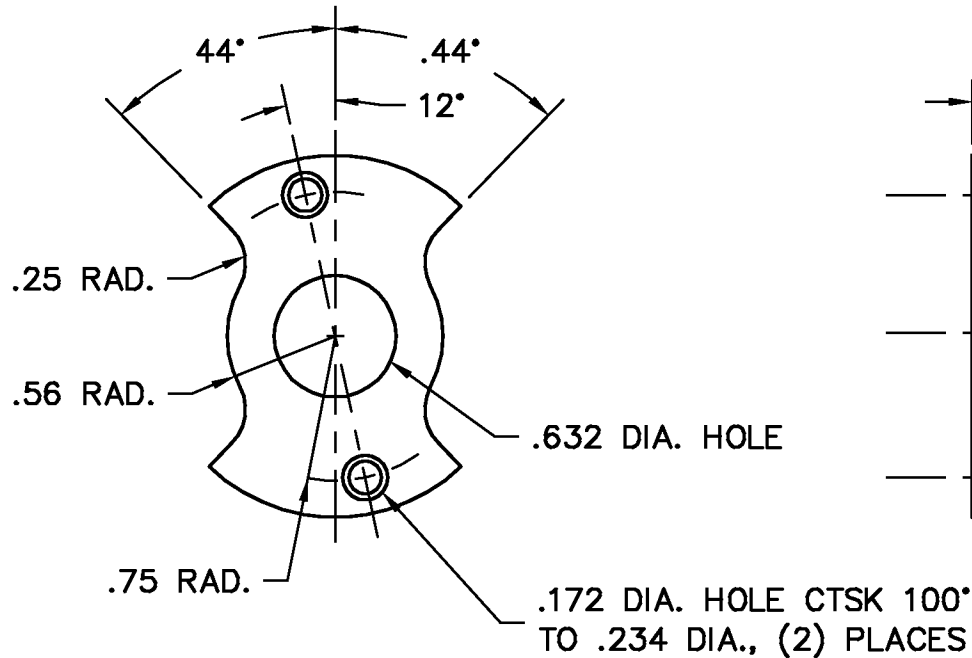
PROJECTIONS



TOLERANCES UNLESS OTHERWISE SPECIFIED:

PLACES	INCH
.XX	± .030
.XXX	± .015
.XXXX	± .005
ANGLE	3°

NOTE:
ACCEPTABLE BURR ± 10% OF MATERIAL THICKNESS
ALL TOLERANCES ARE NON-CUMULATIVE
ALL DIMENSIONS APPLY TO PART BEFORE ANY FINISH IS APPLIED



NOTES:
1. FINISH: 90- BARREL ZINC & CLEAR CHROMATE

DWG		SCALE	1:1	CODE IDENT. #
8614-02		DATE	08/13/99	03007
MATERIAL	FINISH			
PS	SEE NOTE			
DR. BY RAG	CK. BY CD	<p>99 RAYNOR AVE. RONKONKOMA, N.Y. 11779 1-800-3-HINGES</p>		
FAX: 1-631-737-2933				
EMAIL: info@guden.com				
WEB: www.guden.com				

A	ADDED THICKNESS	03/28/01	CD
LTR	DESCRIPTION	DATE	APPD
	REVISION		