

A
SIZE

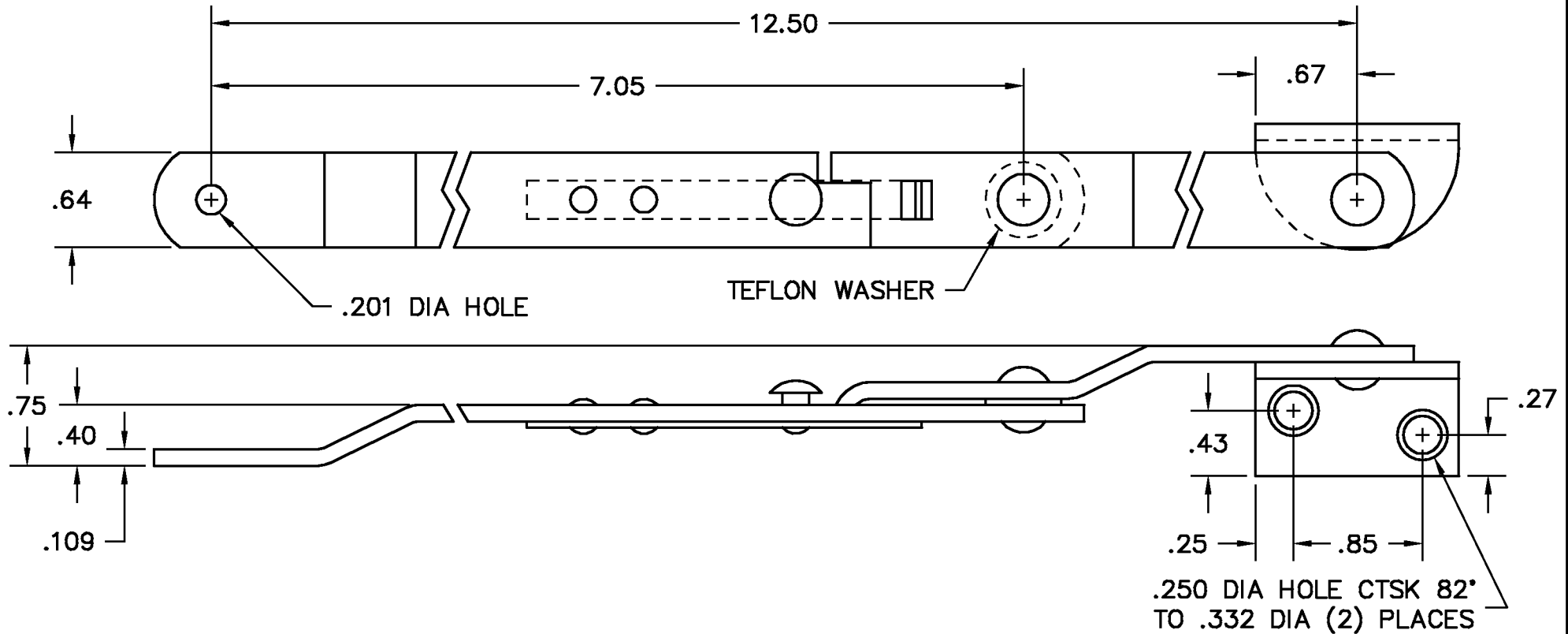
PROJECTIONS



TOLERANCES UNLESS OTHERWISE SPECIFIED:

PLACES	INCH
.XX	± .030
.XXX	± .015
.XXXX	± .005
ANGLE	3°

NOTE:
ACCEPTABLE BURR ± 10% OF MATERIAL THICKNESS
ALL TOLERANCES ARE NON-CUMULATIVE
ALL DIMENSIONS APPLY TO PART BEFORE ANY FINISH IS APPLIED



NOTES:

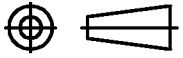
- FINISH: 90- BARREL ZINC & CLEAR CHROMATE
- SCREWS: (2) #8 X .75 FLAT HEAD SHEET METAL
(1) #10 X .75 TRUSS HEAD SHEET METAL

DWG 7792RH-02		SCALE 1:1	CODE IDENT. # 03007
MATERIAL PS	FINISH SEE NOTE		
DR. BY RAG	CK. BY CD		
FAX: 1-631-737-2933 EMAIL: info@guden.com WEB: www.guden.com		99 RAYNOR AVE. RONKONKOMA, N.Y. 11779 1-800-3-HINGES	

B	DESCRIPTION	DATE	APPD
B	.64 WAS .62	07/29/03	CD
A	ADDED WASHER & SCREWS	06/07/02	CD
LTR	REVISION		

A
SIZE

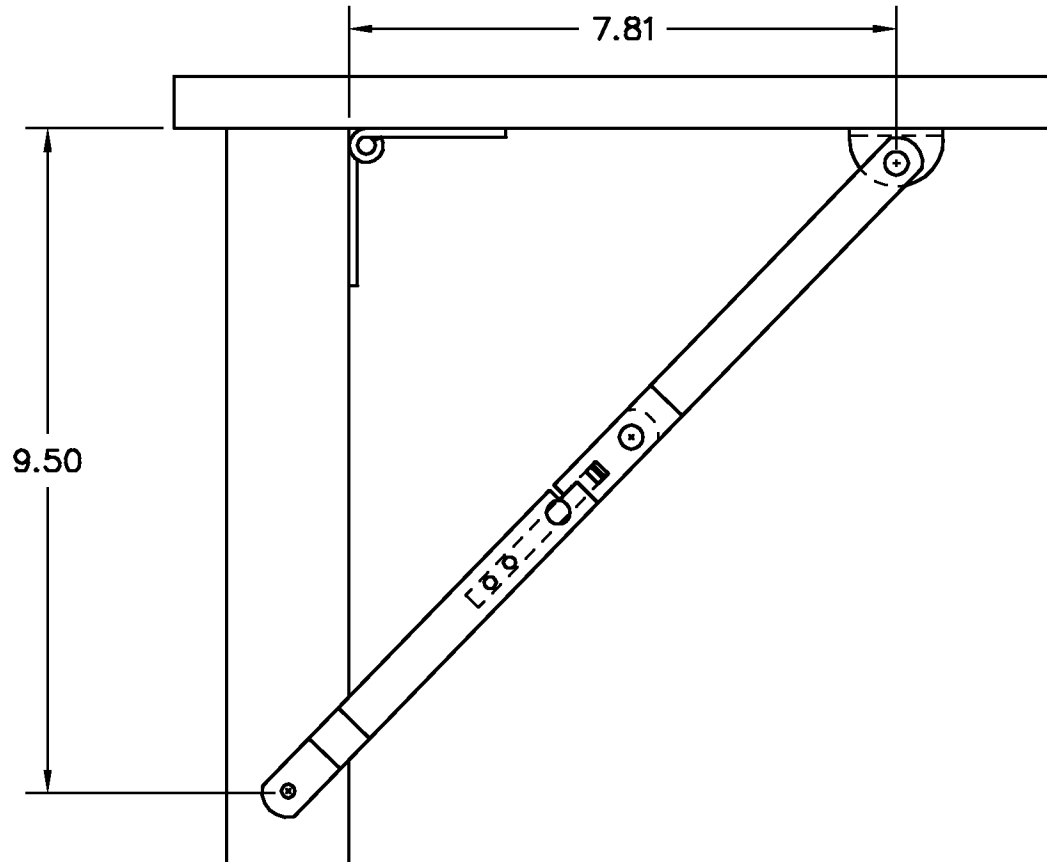
PROJECTIONS



TOLERANCES UNLESS OTHERWISE SPECIFIED:

PLACES	INCH
.XX	± .030
.XXX	± .015
.XXXX	± .005
ANGLE	3°

NOTE:
ACCEPTABLE BURR ± 10% OF MATERIAL THICKNESS
ALL TOLERANCES ARE NON-CUMULATIVE
ALL DIMENSIONS APPLY TO PART BEFORE ANY FINISH IS APPLIED



NOTES:
1. INSTALLATION DIAGRAM FOR GUDEN 7792RH
RIGHT HAND TABLE LEG SUPPORT

DWG 7792RH INST.		SCALE N/A	CODE IDENT. # 03007
MATERIAL N/A		FINISH N/A	
DR. BY RAG		CK. BY CD	
FAX: 1-631-737-2933 EMAIL: info@guden.com WEB: www.guden.com		99 RAYNOR AVE. RONKONKOMA, N.Y. 11779 1-800-3-HINGES	



LTR	DESCRIPTION	DATE	APPD
	REVISION		